

Everyday Get into it! Hot Tubs™

WELCOME TO THE SPA LIFE!

Please enjoy your new Everyday Hot Tub, but think safety first. Read your Owner's Manual in its entirety before installing your spa and encourage all spa users to do the same. More than just common sense, this Owner's Manual provides vital safety and operational information.

We sincerely hope your spa life is a pleasant experience. If problems should arise, contact your Everyday Hot Tubs™ dealer. Or contact Marquis Corp. at any of the following:

Voice: (503)838-0888, (800)275-0888

Email: service@marquiscorp.com

Web: www.marquisspas.com

Marquis Corp.
596 Hoffman Road
Independence, OR 97351

SERIAL NUMBER LOCATION

You will find the serial number on the silver tag in the equipment area.

PLEASE FILL OUT AND KEEP FOR FUTURE REFERENCE

Name of Purchaser _____

Date of Purchase _____

Address _____

City _____ State ____ Zip Code _____

Signature _____

Telephone _____

Spa Model/Color _____

Spa Serial # _____

Pack Serial # _____

Dealer's Name _____

Dealer's Address _____

City _____ State ____ Zip Code _____

Telephone _____

Every effort has been made to ensure the accuracy of this manual. However, Marquis Corp. reserves the right to improve its product without notice. This could create a minor variation between this manual and the actual product you receive. We apologize for any inconvenience this may cause.

IMPORTANT SAFETY INSTRUCTIONS

120V, Cord Connected Models	4
240V, Permanently Installed or Converted Models	5
Safety	6-9

INSTALLATION INSTRUCTIONS

Location	10-11
Filter Cartridge	12
Electrical Requirements	13

STARTING YOUR SPA 14-15**OPERATING YOUR SPA** 16**SPA SPECIFICATIONS**

530	17
415	18
210	19

SPA CONTROL OPERATION

530, 415, 210.....	20-23
-----------------------	-------

EQUIPMENT DIAGRAM

530	24
415, 210.....	25

TROUBLESHOOTING 26-27

LCD Diagnostic Messages	27
-------------------------------	----

MAINTENANCE 28-31**SPA CARE AND ENJOYMENT GUIDE** 32-40**LIMITED WARRANTY** 41-43

The following instructions are required to be printed by Underwriters Laboratories (UL) as a condition of the listing of this product. They contain important safety information. We strongly encourage you to read and apply them.

IMPORTANT SAFETY INSTRUCTIONS

WHEN INSTALLING AND USING THIS ELECTRICAL EQUIPMENT, BASIC SAFETY PRECAUTIONS SHOULD ALWAYS BE FOLLOWED, INCLUDING THE FOLLOWING:

1. READ AND FOLLOW ALL INSTRUCTIONS

2. **WARNING:** To reduce the risk of injury, do not permit children to use this product unless closely supervised at all times.
3. **DANGER: RISK OF CHILD DROWNING.** Extreme caution must be exercised to prevent unauthorized access by children. To avoid accidents, ensure that children cannot use the spa or hot tub unless they are supervised at all times.

120 VOLT, CORD CONNECTED MODELS

4. **DANGER: RISK OF INJURY.** Connect only to a grounded source.
5. Do not bury the power cord.
6. **WARNING:** To reduce the risk of electric shock, replace a damaged cord immediately.
7. A ground terminal (pressure wire connector) is provided on the surface of the control box inside the equipment compartment. This connector should be bonded with a minimum No. 8 AWG (8.4mm²) solid copper wire between this unit and any metal ladders, metal water pipes, metal enclosures of electrical equipment, conduit, or metal equipment within five feet (1.5m) of the spa. If the spa is located on a reinforced concrete pad, the reinforced steel should also be bonded to the ground terminal.
8. **WARNING:** Your spa is equipped with a ground fault circuit interrupter (GFCI) on the end of the power supply cord. Before each use of the spa, with the plug connected to the power supply and the unit operating, press the "test" button. The unit should stop operating and the GFCI power indicator will go out. Wait thirty seconds and then reset the GFCI by pressing the "Reset" button. The GFCI power indicator will turn on, restoring power to the spa. If the interrupter does not perform in this manner, it is an indication of an electrical malfunction and the possibility of an electric shock. Disconnect the plug from the receptacle until the fault has been identified and corrected.

240 VOLT, PERMANENTLY INSTALLED OR CONVERTED MODELS

9. A ground terminal is provided on the terminal block (TB-1, terminal 7) located inside the control box. To reduce the risk of electric shock, connect this terminal to the grounding terminal of your electrical service or supply panel with a continuous green, insulated copper wire. The wire must be equivalent in size to the circuit conductors supplying the equipment. In addition, a bonding terminal (pressure wire connector) is provided on the outside of the control box for bonding to local ground points. To reduce the risk of electric shock, this connector should be bonded with a No. 8 AWG (8.42mm²) solid copper wire to any metal ladders, water pipes, or other metal within five feet (1.5m) of the spa to comply with local requirements.
10. Your spa uses ground fault circuit interrupters in the electrical sub-panel. Before each use of the spa and with the unit operating press the Test button on each breaker. The switch should click over to the "Trip" position. Wait thirty seconds and reset each GFCI breaker by switching it completely off and then completely on. The switch should then stay on. If either of the interrupters does not perform in this manner, it is an indication of an electrical malfunction and the possibility of an electric shock. Disconnect the power until the fault has been identified and corrected.

ALL SPA MODELS

11. Install the spa so proper drainage is provided.
12. **DANGER: RISK OF ELECTRIC SHOCK.** Install the spa at least five feet (1.5m) away from metal surfaces, in accordance with the National Electric Code ANS/NMFP70-1993. Each metal surface must be permanently connected to a minimum No. 8 (8.42mm²) solid copper conductor attached to the wire bonding connector on the terminal box provided for this purpose.
13. **DANGER: RISK OF ELECTRIC SHOCK.** Do not permit any appliance, such as a light, telephone, radio, or television, etc. within five feet (1.5m) of the spa or hot tub.
14. **WARNING:** To reduce the risk of injury:
 - The water in the spa should never exceed 104°F (40°C). Water temperatures between 100°F (38°C) and 104°F (40°C) are considered safe for a healthy adult. Lower water temperatures are recommended for extended use (exceeding 10 minutes) and for young children.
 - Since excessive water temperatures have a high potential for causing fetal damage during the early months of pregnancy, pregnant or possibly pregnant women should limit spa water temperatures to 100°F (38°C).
 - Before entering a spa, the user should measure the water temperature with an accurate thermometer since the tolerance of temperature-regulating devices may vary as much as +/- 5°F (3°C).
 - The use of drugs, alcohol, or medication before or during spa use may lead to unconsciousness with the possibility of drowning.

- Persons suffering from obesity or with a medical history of heart disease, low or high blood pressure, circulatory system problems, or diabetes should consult a physician before using the spa.
 - Persons using medications should consult a physician before using a spa since some medication may induce drowsiness while other medication may affect heart rate, blood pressure, and circulation.
15. **DANGER: TO REDUCE THE RISK OF INJURY TO PERSONS.** Do not remove the suction fittings.
 16. **DANGER: RISK OF INJURY:** Never operate a spa if the suction guard(s) is broken or missing. Never replace a suction guard with one rated less than the flow rate marked on the original suction guard. The suction guard(s) in the spa are sized to match the specific water flow created by the pump. Should the need arise to replace the suction guard(s) or the pump, be sure that the flow rates are compatible.
 17. **DANGER:** Children are especially sensitive to hot water. At no time should children have unsupervised access to the spa. Children must not be allowed to climb onto the spa cover. All Everyday Hot Tubs are equipped with a locking cover that meets the ASTM F1346-91 Standard for Safety Covers. Always lock the child resistant locks after using the spa for your children's safety.
 18. **SAVE THESE INSTRUCTIONS.**
 - WARNING:** Children should not use spas or hot tubs without adult supervision.
 - WARNING:** Do not use spas or hot tubs unless all suction guard(s) are installed to prevent body and hair entrapment.
 - WARNING:** Do not use drugs or alcohol before or during the use of a spa or hot tub to avoid unconsciousness and possible drowning.
 - WARNING:** People using medications and/or having an adverse medical history should consult a physician before using a spa.
 - WARNING:** The use of alcohol, drugs, and medication can greatly increase the risk of fatal hyperthermia.
 - WARNING:** Before entering the spa or hot tub measure the water temperature with an accurate thermometer.
 - WARNING:** Water temperature in excess of 104°F (40°C) may be injurious to your health.
 - WARNING:** Prolonged immersion in a spa or hot tub may be injurious to your health.
 - WARNING:** People with infectious diseases should not use a spa.
 - WARNING:** Pregnant or possibly pregnant women should consult a physician before using a spa or hot tub.
 - WARNING:** To avoid injury, exercise care when entering and exiting the spa or hot tub.
 - WARNING:** Do not use a spa or hot tub immediately following strenuous exercise.
 - CAUTION:** Maintain water chemistry in accordance with manufacturer's instructions.

SAFETY INSTRUCTIONS FOR FRENCH SPEAKING SPA OWNERS

AVERTISSEMENT: Ne pas placer d'appareil électrique (luminaire, téléphone, radio, téléviseur, etc.) moins de 1.52 m de cette cuve de relaxation.

AVERTISSEMENT: Ne pas laisser les enfants utiliser une cuve de relaxation sans surveillance.

AVERTISSEMENT: Pour éviter que les cheveux ou une partie du corps puissent être aspirés, ne pas utiliser une cuve de relaxation si les grilles de prise d'aspiration ne sont pas toutes en place.

AVERTISSEMENT: Pour éviter l'évanouissement et la noyade éventuelle, ne prendre ni drogue ni alcool avant d'utiliser une cuve de relaxation ni quand on s'y trouve.

AVERTISSEMENT: Les personnes qui prennent des médicaments ou ont des problèmes de santé devraient consulter un médecin avant d'utiliser une cuve de relaxation.

AVERTISSEMENT: La consommation d'alcool ou de drogue augmente considérablement les risques d'hyperthermie motrice dans une cuve de relaxation.

AVERTISSEMENT: Avant d'utiliser une cuve de relaxation mesurer la température de l'eau à l'aide d'un thermomètre précis.

AVERTISSEMENT: Il peut être dangereux pour la santé de se plonger dans de l'eau plus de 40°C.

AVERTISSEMENT: L'utilisation prolongée d'une cuve de relaxation peut être dangereuse pour la santé.

AVERTISSEMENT: Les personnes atteintes de maladies infectieuses ne devraient pas utiliser une cuve de relaxation.

AVERTISSEMENT: Les femmes enceintes, que leur grossesse soit confirmée ou non, devraient consulter un médecin avant d'utiliser une cuve de relaxation.

AVERTISSEMENT: Pour éviter des blessures, user de prudence en entrant dans une cuve de relaxation et en sortant.

AVERTISSEMENT: Ne pas utiliser une cuve de relaxation immédiatement après un exercice fatigant.

ATTENTION: La teneur de l'eau en matières dissoutes doit être conforme aux directives du fabricant.

PERSONAL SAFETY

Prolonged immersion in hot water can result in **HYPERTHERMIA**, a dangerous condition which occurs when the internal temperature of the body reaches a level above normal (98.6°F, 37°C). The symptoms of hyperthermia include dizziness, fainting, drowsiness, lethargy, and a body temperature above 98.6°F (37°C). The physical effects of hyperthermia include unawareness of impending hazard, failure to perceive heat, failure to recognize the need to exit the spa, physical inability to exit the spa, fetal damage in pregnant women, and unconsciousness resulting in a danger of drowning.

WARNING: The use of alcohol, drugs, or medication can greatly increase the risk of fatal hyperthermia in hot tubs and spas.

Persons taking medications which induce drowsiness such as tranquilizers, antihistamines, or anticoagulants should not use the spa. Pregnant women and persons with a medical history of heart disease, diabetes, or high blood pressure should consult a physician before using the spa.

PERSONAL SAFETY DOs:

- Be sure your spa is connected to the power supply correctly – only use a licensed electrical contractor.
- Shut off power supply (unplug 120V models) before draining the spa or servicing the electrical components.
- Test the Ground Fault Circuit Interrupter (GFCI) monthly.
- Always test the water temperature with an accurate thermometer before entering the spa to be sure that it's a safe temperature.
- Remember that wet surfaces can be very slippery. Take care when entering and exiting the spa.
- Lock the spa cover when the spa is not in use, whether it is empty or full of water.
- Keep the water clean and sanitized with correct chemical care.
- Turn on the jets when adding ANY chemicals to the spa water.
- Clean the filter cartridge monthly to remove debris and mineral buildup which affects the performance of the hydrotherapy jets, limits the flow, or trips the high limit thermostat which will turn off the entire spa.

PERSONAL SAFETY DO NOTs:

- Don't use the spa with the equipment compartment door removed.
- Don't use the spa for more than 10 minutes of time at water temperatures in excess of 102°F (39°C).
- Don't allow the jet pump to operate for an extended period of time with the cover in place. Extended pump operation causes a slow heat buildup due to water friction. The spa equipment controls are equipped with a built-in safety timer that automatically shuts off the jet pump after 15 minutes of continuous operation should it have been left on inadvertently.
- Don't operate the spa at any time with the filter cartridges removed.
- Don't lift or drag the cover by using the tie-down straps; always lift and carry by using the external handles.
- Don't store chemicals in the spa's equipment compartment.
- Don't hesitate to call your Everyday Hot Tubs dealer with any questions or maintenance concerns.

LOCATION

For your portable spa to function properly and safely, it must be located on a hard, flat, level surface. Inground spas require special installation techniques and should be planned in conjunction with your spa dealer. Improper installation can result in structural damage to the spa and the voiding of your spa warranty. Items to discuss with your dealer include: local construction codes; electrical service requirements; serviceability of equipment; present underground obstructions such as gas, water, and telephone lines; safety measures such as fences and locks; and visibility of the spa installation from the home, street, and neighbors.

- Allow for sufficient water drainage around the spa to help preserve the equipment and support structure. This includes indoor installations.
- A filled spa can weigh in excess of 4,000 pounds and the location should support the weight of the filled spa.
- Locate the equipment compartment where it will be accessible. Your spa **MUST** be installed to permit access for servicing the equipment above and/or below any decks or floors. Access is essential and must allow adequate room for service.
- Leave access to the circuit breakers in the sub panel (240V models) or to the interrupter switch (GFCI, 120V models) on the end of the power cord.
- Be sure the spa is level and in the final position **BEFORE** filling with water. Check for power cords, tools, and hoses that may be caught underneath the spa.
- **IMPORTANT: DO NOT LET AN EMPTY SPA REMAIN EXPOSED TO DIRECT SUNLIGHT.** Spa surface temperatures can reach in excess of 150°F (65°C) if left exposed to the sun. Significant damage can occur if this is allowed to happen, including warping and blistering of the surface. Damage, that occurs as a result of this exposure is not covered under the warranty.
- **CAUTION:** Never try to move a spa that has not been fully drained. To do so could result in damage to the spa and physical injury to the mover.

OUTDOOR AND PATIO INSTALLATION

To install the spa outdoors, we recommend a reinforced concrete pad at least four inches thick. The reinforcing material should be attached to a #8 AWG bonding wire per national and local electrical code.

If you place the spa on the ground, even temporarily, place concrete pavers under the entire bottom of the spa. The concrete pavers should be at least two inches thick and level across the entire surface. The spa will inevitably settle and not remain level on this surface, thus it's important to get it onto a solid foundation as soon as possible.

DECK INSTALLATION

Be sure the deck can support the weight of your filled spa by checking the deck's maximum load capacity. Consult a qualified building contractor or structural engineer. Minimum requirement is 100 pounds per square foot.

INDOOR INSTALLATION

There are special requirements if you place your spa indoors. Flooring material must provide adequate traction when wet. Proper drainage is essential to prevent water puddling. Humidity will increase and it's best to provide proper ventilation to the area and the addition of a ventilation system may be necessary.





Shut-off valve in open position

SHUT-OFF VALVES

Your spa is equipped with shut-off valves (see EQUIPMENT DIAGRAM) that shut off the water flow to the equipment system for dealer service. At times, a new spa or one that has recently been serviced, may have the shut-off valves partially closed which can restrict the water flow and hinder jet performance. Be sure the valves are fully open.

FREEZE PROTECTION

When a freeze condition is detected (which occurs when the temperature in the heater housing drops to 40°F (4°C)) the jet pump is automatically activated. In areas with extremely cold winter conditions, your spa should be fine as long as it is left running at normal operating temperatures. For extra protection see your dealer for an optional freeze sensor. If you plan to turn the spa off, follow the instructions in this manual (see SUSPENDED USE OR WINTERIZING YOUR SPA).



1) Center filter cartridge over canister



2) Screw filter cartridge in place



3) Snap Vortex filter top in place

OVERHEATING

In the case of extended hot weather, the spa water temperature may reach and maintain 104°F to 106°F (40°C to 41°C) or higher. This is due to the ambient temperature and the full insulation in the spa cabinet. You may have the option of shortening the pump-run time. See SPA CONTROL OPERATION for available options.

FILTER CARTRIDGE

Your portable spa is equipped with the Constant Clean™ Filtration system.

NOTE: It is very important that the components of these filtration systems be installed properly in the proper part of the spa.

1. Hold the Vortex filter cartridge and center it in the opening of the filter housing.
2. Use the filter handle and turn the filter cartridge clockwise to screw it in place. (Use caution not to overtighten as damage may occur to threads and is not covered under warranty.)
3. Grasp the edge of the dome-shaped Vortex filter top. Center it over the ring and gently snap in place.

SUCTION GUARDS



Safety guard of suction fitting must remain in place.

The suction guard(s) in the footwell of your spa is an opening through which the jet pump draws water. Suction fittings are equipped with a safety guard. Suction through the fittings can be strong. The safety guard(s) must remain in place and undamaged. A fitting with a damaged guard(s) can be dangerous, especially to small children or people with long hair. Should any part of the body become drawn to a fitting, turn the jet pump off immediately. Long hair should be restrained in a bathing cap, never allow it to float freely in the spa. Replace any missing or damaged suction guard(s).

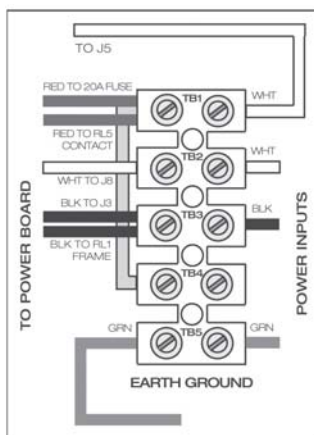
NOTE: It is normal for the flow rates of the suction fittings to vary from strong to barely noticeable.

ELECTRICAL REQUIREMENTS

It is the responsibility of the spa owner to ensure that all electrical connections are made in accordance with all electrical codes in effect at the time of installation.

120 Volt:

120V units must only be connected to a properly grounded, grounding type 15 amp dedicated receptacle. 120V equipment is designed to operate on 60Hz alternating current only at a voltage of 120, 12.5 amp. maximum load. Only use the cord provided with the spa, do not use an extension cord.

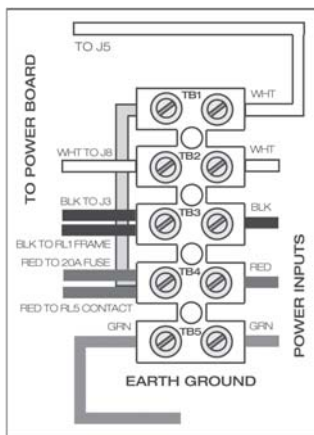


120V electrical diagram

To Convert 120V to 240V:

All connections must be made by a licensed electrician.

1. Disconnect power by unplugging from receptacle and remove cord from terminal block.
2. Move both red wires TB-1 to TB-4 as indicated by gray area.
3. Move the Heater Mode selector (J23) on the Control Board from (20A) to (50A) position. Ground Fault Circuit Interrupters (GFCI), #8145, are available from your Everyday Hot Tubs dealer.



Convert 120V to 240V electrical diagram

START-UP PROCEDURE

Your spa is equipped with solid-state Comfort Controls specific to your spa model. Please see SPA CONTROL OPERATION for your specific spa model.



Marquis SpaCare products are recommended.

To start your spa, you need a spa water test kit and an underwater thermometer. It is important to follow each of these steps when starting your spa. Once you have completed the following steps, refer to the WATER TREATMENT section for proper start-up water maintenance.

NOTE: Your spa has been filled and test-run at the factory. The first time your spa is filled with water, some discoloration from residual test water may appear. This will disappear when the spa is completely filled and the filtration system is functioning. Test the water for the proper chemical balance and adjust as necessary. **PROPER CHEMICAL BALANCE IS IMPORTANT** for your safety and the longevity of your spa.

THERAPY PUMP

Allow the spa to circulate on high-speed (see SPA CONTROL OPERATION) for four to five minutes to discharge air from the plumbing system. Do not expect hot water immediately from the jets; the heater will take several hours to heat the water.

Start-up procedure:

1. Place spa on a hard, flat, level surface. Make sure the power supply is off.
2. Make sure the suction guard(s) in the footwell are in place and undamaged.
3. Open the equipment door. Tighten all disconnects and open all shut-off valves.
4. Install filter cartridge. (See INSTALLATION INSTRUCTIONS, Filter Cartridge.)
5. Fill the spa with water to two-thirds of the way up the patented Vortex skimmer opening. The use of a Fill Filter (part #5039) is recommended, especially in areas with high mineral content in the water.



Screw pump plug into face of pump.



Fill spa with water to two-thirds of the way up the Vortex skimmer opening.



Use TEMP pad to set water temperature.



Spa cover helps maintain a constant water temperature.

6. Turn the power on and wait five seconds.
7. After a few seconds the spa should have water flowing from the jets. If the pump has not primed and the water is not flowing from the jets after two minutes **TURN OFF POWER TO THE SPA** and vent air from the pumps by slightly opening the pump unions. (SEE EQUIPMENT DIAGRAM).
8. The factory default setting for water temperature is 102°F (39°C). Use the TEMP pad on the control panel to set the water temperature to the desired level. (See TEMPERATURE DISPLAY AND ADJUSTMENT.) Your spa will heat at the rate of approximately one degree per hour for 120V systems and five degrees per hour for 240V systems.

SPA COVER

When the spa is not in use, the spa cover should be kept on the spa to retain the water's heat and to keep out dirt, leaves, etc. Your heater maintains a constant water temperature between uses.

For your safety and convenience, the cover is equipped with adjustable straps, safety locks, and handles. Use the exterior handles to remove and replace your cover. We suggest that you use the safety locks to help keep out unintended users and prevent the cover from being blown off in windy conditions. For high wind areas, Secure Straps (part #8140) are available. DuraLift (part #8225) cover lifts are also available to assist you in cover removal. See your Everyday Hot Tubs dealer for details.

MAXIMUM THERAPY JETTING SYSTEM

ISO BOOST JETS

This small jet provides a targeted stream of water.

POWER BOOST JET

The direction of water flow can be changed by redirecting the central nozzle. The water flow can be adjusted by turning the jet face using the four tabs.

POWER SWIRL JET

This rotating jet provides a firm, broad area of circular massage. The water flow can be adjusted by turning the jet face using the four tabs.

CASCADE NECK™ JETS

The Cascade Neck jets are turned on and off (when the jet pump is on) using the small teardrop neck jet control lever.

CASCADE NECK JET CONTROL

Use this control to increase or decrease the air flow to the Cascade Neck jets.



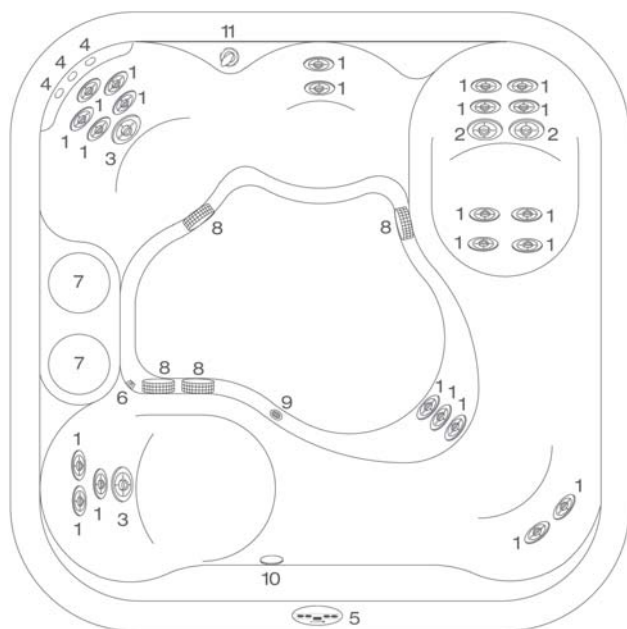
Power swirl jet



Cascade Neck Jet Control

5 Use the Bather's panel to set the temperature, select the filtration, and turn on the jets and lights.

11 This valve controls the water flow of the Cascade Neck jets.

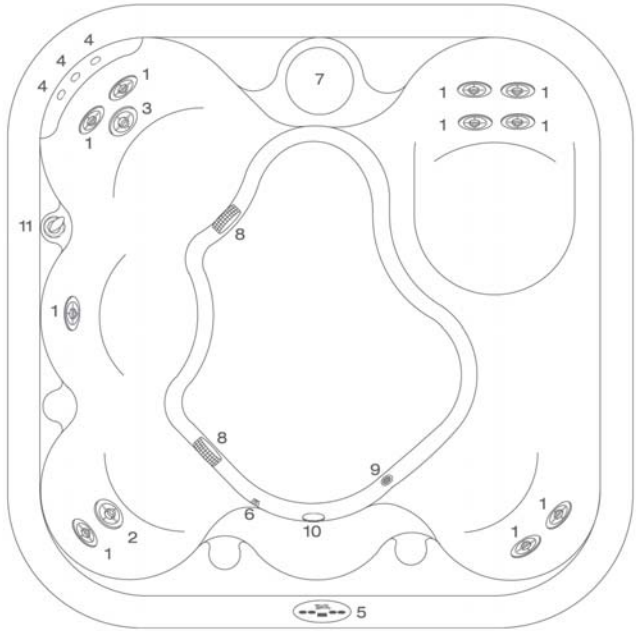


#	Component Identification	Qty.
1	Iso Boost Jets	23
2	Power Boost Jets	2
3	Power Swirl Jets	2
4	Cascade Neck™ Jets	3
5	Bathers Control Panel	1
6	Heat Sensor	1
7	Filter Canisters	2
8	Suction Fittings	4
9	Floor Drain	1
10	Light	1
11	Cascade Neck Jet Valve	1

Physical Specifications	Size
Dimensions	84" x 84"
Height	34"
Interior Depth	33"
Seating Positions	5
Weight Dry/Lbs.	720
Weight Full/Lbs.	3639
Water Capacity/Gallons	350
Total Therapy Jets	30

5 Use the Bather's panel to set the temperature, select the filtration, and turn on the jets and lights.

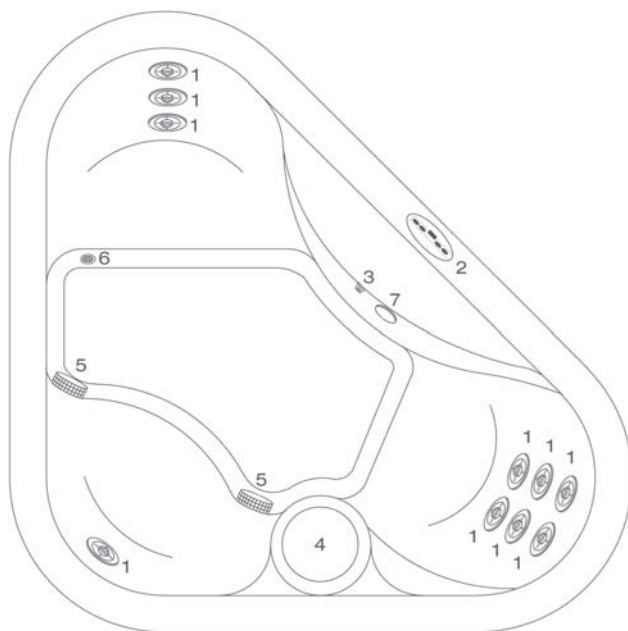
11 This valve controls the water flow of the Cascade Neck jets.



#	Component Identification	Qty.
1	Iso Boost Jets	10
2	Power Boost Jets	1
3	Power Swirl Jets	1
4	Cascade Neck™ Jets	3
5	Bathers Control Panel	1
6	Heat Sensor	1
7	Filter Canister	1
8	Suction Fittings	2
9	Floor Drain	1
10	Light	1
11	Cascade Neck Jet Valve	1

Physical Specifications	Size
Dimensions	77" x 77"
Height	34"
Interior Depth	32.5"
Seating Positions	5
Weight Dry/Lbs.	475
Weight Full/Lbs.	2977
Water Capacity/Gallons	300
Total Therapy Jets	15

- 2 Use the Bather's panel to set the temperature, select the filtration, and turn on the jets and lights.



#	Component Identification	Qty.
1	Iso Boost Jets	10
2	Bathers Control Panel	1
3	Heat Sensor	1
4	Filter Canister	1
5	Suction Fittings	2
6	Floor Drain	1
7	Light	1

Physical Specifications	Size
Dimensions	68" x 68"
Height	29.5"
Interior Depth	28"
Seating Positions	3
Weight Dry/Lbs.	300
Weight Full/Lbs.	1545
Water Capacity/Gallons	150
Total Therapy Jets	10

MODELS 530, 415, 210



LIGHT

UNDERWATER LIGHT

Press the LIGHT pad to turn the underwater light on and off. The low-voltage system produces a night light for evening use and makes entering and exiting the spa safer. After being on for 30 minutes, the light automatically turns off.

OPTIONAL WATERCOLORS™*

Press LIGHT pad to turn on step one. Press LIGHT pad again to turn off for one second. Then press LIGHT pad again for step two. Repeat for all color options.

*(12 LED Part #8115; 24 LED Part #8120)



JET

JETS

Use the JET pad on the bather panel. First press of the JET pad activates pump on low-speed (and starts soak timer). Second press of the JET pad activates pump(s) on high-speed. Third press of the JET pad turns jets off for all-quiet mode. Fourth press of the JET pad turns pump back to low-speed. If the pump is already on low (heating, filter cycle) then the first press starts the soak timer. After running on low- or high-speed for 15 minutes, the pump automatically turns off (unless in heating or filtering cycle).



JET

SOAK TIMER AND SOAK FEATURE

The soak timer starts the first time you press a JET pad. The LCD window displays the elapsed time (1-30) for 55 seconds then switches to the current water temperature for five seconds then back to the timer. It continues to alternate for the entire 30 minutes. The timer runs for 30 minutes regardless of other functions in use (jets, temperature, or light). You can manually cancel the timer by pressing the TEMP+/- pad and then the LIGHT pad.



TEMP +/-

CONSTANT CLEAN™ WATER MANAGEMENT WITH SMART LOGIC™

Factory Default Settings:

- Filter Cycle Duration: F2 (2 hours)
- Filter Cycles: 2C (twice per day)
- Smart Logic: 1H (1 hour)

These settings represent the most commonly used settings, but your use may be different, depending upon many variables – frequency, number of bathers, duration, water capacity, etc. These variables affect the quality of water and the way it should be managed to achieve the most effective cleansing. Selectable choices for the settings of the operation systems allow flexibility and ensure your Everyday Hot Tub remains easy to maintain for your particular set of circumstances.



Optional Marquis Ozonator reduces the need for chemical sanitizers.

SOLID-STATE OZONATOR (OPTION)

The ozonator greatly reduces the amount of chemical sanitizer you need in the water to keep your water clean. The ozonator functions whenever the pump is running on low speed. You should occasionally inspect your ozonator to ensure it continues to light (see MAINTENANCE, Every Three to Four Months). A good time to do this is every three months, when you drain and fill your spa.

CONSTANT CLEAN FILTRATION

Your spa is preset at the factory with a default setting to filter itself using the jet pump on low-speed for two hours twice in a 24-hour period. These settings represent the filter settings necessary for average use. The timing of the first filter cycle is determined by when the spa was initially energized. The first cycle begins six minutes after this initial power-up. The second filter cycle begins 12 hours after the first cycle.



SETTINGS



TEMP+/-

To adjust the filter settings

First press of the SETTINGS pad displays the filter time settings (F1, F2, F4, F6). Use the TEMP+/- pad to scroll through the options. When desired selection has been reached, press SETTINGS pad again to enter selection and advance to the filter cycle settings (2C, 1d, 1n). For example, if you select 2C and F2, your spa will filter two hours twice a day for a total of four hours of filtration daily.



TEMP+-



SETTINGS

Use the TEMP+- pad to scroll through filter cycle options. When desired selection has been reached, press the SETTINGS pad to enter selection and advance to the Smart Logic™ settings.

Selectable filter cycles and cycle duration

- 2C: twice per day (once every 12 hours)
- 1d: once during the day
- 1n: once during the night
- F1: 45 minutes
- F2: 2 hours
- F4: 4 hours
- F6: 6 hours

SMART LOGIC™

Since a spa is always covered when not in use, it stays fairly free of debris or outside contamination. Contamination to a spa's water occurs during usage, so filtering immediately after usage is the most effective time to clean the spa water. Your spa is preset at the factory with a default setting to filter for one hour (1H) every time your spa is used. This filtration cycle begins 30 minutes after the spa light or jet pump has been deactivated. The pump runs on low-speed to filter the water for the cycle's duration.

Selectable Smart Logic Settings

- 1H: 1 hour
- 2H: 2 hours
- 3H: 3 hours
- 4H: 4 hours
- OH: Off



TEMP+-



SETTINGS

To adjust the Smart Logic settings:

Use the TEMP+- pad to scroll through options. When desired selection has been reached. Press SETTINGS pad to enter selection and exit settings mode.

TEMPERATURE DISPLAY AND ADJUSTMENT

Factory Default Settings:

- Temperature: 102°F (39°C)

The LCD window displays the actual water temperature. Pressing the TEMP+- pad makes the numbers flash, then pressing the pad again (repeatedly) increases the set temperature one degree at a time, up to 104°F (40°C). After a short

pause, the actual temperature displays. Press TEMP- pad repeatedly to decrease the set temperature to 80°F (27°C).

***NOTE:** In event of a power outage, all settings revert to the preset, default settings.

HEAT LIGHT

The HEAT light illuminates when the heater is on. The pump circulates on low-speed whenever the thermostat calls for heat.

SYSTEM LOCK

Once you find and establish the settings that work best for your individual needs, use system lock to keep from inadvertently changing the settings.

Press the TEMP +- pad and then immediately press the SETTINGS pad. Unlock by repeating sequence. While the system is locked, you may still operate the jets and light. The LCD window displays LC to indicate the system is locked when you try to change the temperature or settings.

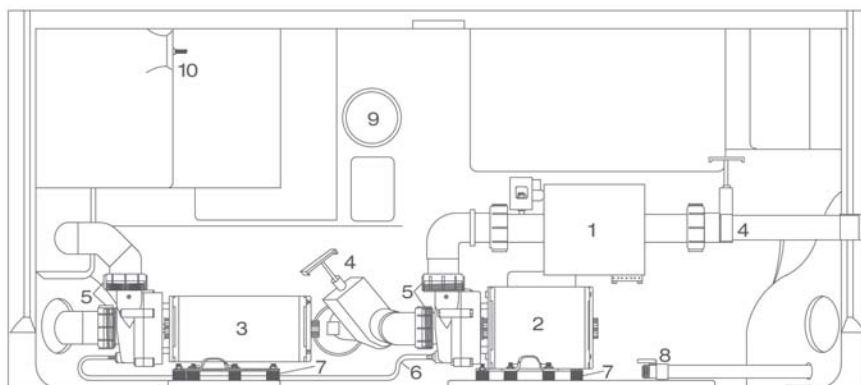


TEMP+-



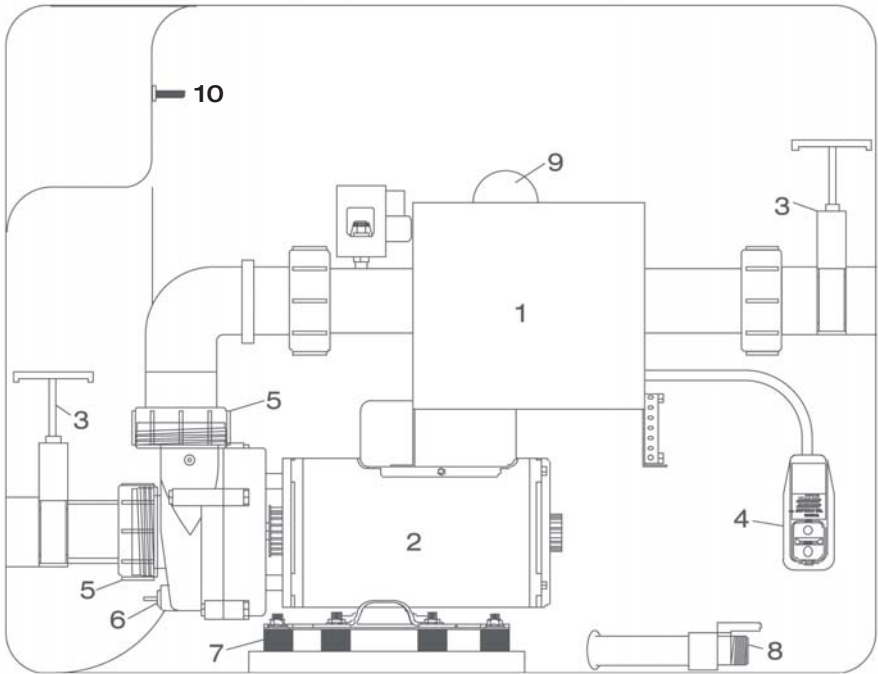
SETTINGS

MODEL 530



#	Component	Part #	Qty.
1	Control box and heater	(650-0571)	1
2	MP130 pump	(630-6077)	1
3	HP130 pump	(630-6078)	1
4	Slice valves	(350-6225)	2
5	Pump unions	(600-0878)	4
6	Freeze line	(630-2017)	1
7	Motor mounts	(630-6113)	8
8	Hose bib drain	(610-0629)	1
9	Light bulb	(740-0640)	1
10	Ozone ready fitting	(310-0182)	1

MODEL 415 & 210



#	Component	Part #	Qty.
1	Control box and heater	(650-0535)	1
2	HP120 pump	(630-6085)	1
3	Slice valves	(350-6225)	2
4	GFCI cord	(740-0569)	1
5	Pump unions	(600-0878)	2
6	Pump plug	(630-0460)	1
7	Motor mounts	(630-6113)	4
8	Hose bib drain	(610-0629)	1
9	Light bulb	(740-0640)	1
10	Ozone ready fitting	(310-0182)	1

PLEASE NOTE: The following corrective actions may be performed by the spa owner. If the trouble cannot be corrected in the steps below, please contact your Everyday Hot Tubs™ dealer for service. (Improper servicing by an unauthorized service provider or spa owner could result in damage not covered by the warranty and could cause serious injury.)

EQUIPMENT WILL NOT OPERATE

- Check the control panel LCD window for diagnostic code.
- 240V Spas: Check the circuit breaker on the main circuit panel.
- 120V Spas: Check the GFCI power cord and reset if necessary (see IMPORTANT SAFETY INSTRUCTIONS at beginning of manual).
- Check the condition of the power cord.

INADEQUATE JET ACTION

- Be sure the shut-off valves are completely open.
- Open the jets by turning the jet face to allow for maximum water flow.
- Check for obstruction or restrictions at suction guard(s) or filters, such as leaves, etc.

NO HEAT

- Check temperature displayed in the LCD window for desired temperature setting.
- Inspect the filter cartridge for dirt and debris.
- Check that the water is at proper level, 2/3 up the patented Vortex skimmer opening.
- Lower ambient temperatures may result in heat loss.

NOTE: Do not expect instant hot water from the jets. It will take the heater 12-24 hours to heat the water to the temperature you desire.

LIGHT DOES NOT WORK

- Press the LIGHT pad on the control panel.
- Reposition the light bulb in the socket. (See REPLACING LIGHT BULB.)
- Replace the light bulb with a **6 WATT BULB (GE 918 ONLY)**.

LCD DIAGNOSTIC MESSAGES

The advanced technology built into the spa allows it to perform a number of self-diagnostic system checks and it can display a variety of messages in the LCD window on the control panel.

CL:

This appears every 30 days as a reminder to clean the filter. (See INSTALLATION INSTRUCTIONS, Filter Cartridge.)

CH:

This appears every 90 days as a reminder to drain and refill the spa. (See SPA MAINTENANCE, Draining and Filling the Spa.)

FL:

A pressure switch may have malfunctioned. Contact your dealer for service.

OH:

Over heat protection. If a malfunction occurs and the spa water reaches 112°F (44°C), the system completely shuts down. In such a condition, **DO NOT ENTER THE WATER**. Turn off all power to the spa and contact your dealer for service. Several conditions could lead to overheating, for example, low water level, shut-off valves closed while heater is on, dirty filter, and restriction in the plumbing lines. After the power is turned back on, the spa will not restart itself until the water temperature within the spa drops to a lower, predetermined temperature. As a double safety feature, a secondary high-limit sensor shuts the system off if the water temperature in the heater housing reaches 118°F (48°C). In this case, the spa may be restarted by pressing any panel pad after the water has cooled to 110°F (42°C). If the switch trips repeatedly, do not use the spa and contact your dealer for service.

SN:

A sensor has malfunctioned. The spa turns off. Contact your dealer for service.

WEEKLY MAINTENANCE

1. Removing Debris

Remove any debris from the Vortex skimmer and suction guard(s) on the inside of the spa. Blocked intakes can impede the flow of water through the jetting system.

2. Water Level

Replenish the water level if necessary so that it is approximately two-thirds up the Vortex skimmer opening. (See STARTING YOUR SPA.)



Water level should be two-thirds up the Vortex skimmer opening.

MONTHLY MAINTENANCE

1. Filter Care

We cannot stress enough the importance of a clean filter for proper water filtration. Dirty filters can restrict water flow, cause hazy water, and prevent your chemicals from working properly. Many water treatment products clear or clarify the water by clumping microscopic particles and minerals together so that these larger particles can be effectively trapped in the filter. A filter clogged with debris and calcium deposits does not trap particles properly.

The Maintenance Reminder on the spa-side Control Panel indicates a CL every 30 days to remind you to clean your filter.

Removing the Filter

Grasp the edge of the dome-shaped Vortex filter top, pull up firmly, but gently, to remove it.

Turn the filter cartridge counterclockwise to unscrew it from its base. Lift out the filter cartridge.

Use a hose to clean the filter cartridge or use the Marquis Maintenance Kit bucket and Filter Revive to soak the filters (you will need to flip the filter after the designated time to completely clean the entire length). Or a Filter Soak Canister is available from your dealer to assist in the filter cleaning process.

NOTE: Keep an extra set of filters on hand so you always have a clean set ready for immediate spa enjoyment. Remember to replace the filter cartridge at least once a year.



Grasp edge of Vortex filter top, pull gently.



Turn filter cartridge counterclockwise to unscrew.

Reinstalling the Filter

Repeat the steps above in reverse. Do not overtighten the filter as it may cause the threads on the bottom to strip and fail to hold the filter in place. When replacing the Vortex filter top, center the top over the raised filter ring and press down firmly until the top snaps into place. (See INSTALLATION INSTRUCTIONS, Filter Cartridge.)

EVERY THREE TO FOUR MONTHS

Draining and Filling the Spa

The average spa needs to be drained every three to four months. After months of continually adding chemicals to the water and introducing body oils and lotions, the water can be difficult to manage and chemicals are not as effective as usual. You may also notice excessive foaming. A maintenance reminder appears on the control panel as “CH” to remind you to change water. More frequent draining may be required depending on use.



Check the end cap of the optional ozonator for a purple glow.

1. Leakage Detection

Open the equipment door and check for signs of water leakage around the pump. Pump seals wear out over time, especially with improper water chemistry. Early detection of pump seal failure can significantly reduce repair costs.

2. Ozonator (Option) Operation

Check to see if the bulb is lighted. Run spa on low-speed. The end cap of the ozonator should have a purple glow if functioning properly. If not, the bulb has burned out. Contact your dealer for service.

3. Draining the Spa

- A. Turn off the power to the spa.
- B. Open the equipment door and attach a hose to the hose bib. (See EQUIPMENT DIAGRAM.) Gravity causes the water to drain out of the hose.
- C. When the spa is empty, remove the hose and screw the hose cap on to the hose bib.

AS NEEDED MAINTENANCE



Marquis Maintenance Kit includes: DuraWood Cleaner, Cover Care Cleaner, Fill Filter, Filter Revive, Swirl Away Plumbing Cleaner, interior DuraMitt, and a scrubby hand mitt for exterior cabinet and cover cleaning, all in a handy storage bucket.

1. Cover Care

It is recommended that you use Marquis Cover Care Cleaner to keep the spa cover clean and conditioned. Proper care of the cover increases the life and keeps it looking great in even the harshest conditions. **NOTE:** Do not use regular household products or products that contain silicone, alcohol, steel wool, or bleach.

2. EasyCare™ Exterior

Clean the exterior of the spa with Marquis DuraWood Cleaner. Our specially formulated cleaner does not contain alcohol or high levels of solvents. These ingredients (along with Acetone, Nitrobenzene, and Cyclohexanol) can dissolve and discolor the DuraWood exterior. For small cleaning jobs, you can also use a mild soap and water solution.

3. Wood Exterior

The wood exterior has been treated with a water-based wood preservative at the factory. We suggest the exterior be treated every six months with an additional coat of preservative for maximum weather protection. Your dealer can suggest the best preservative for your environment.



DuraMitt cleans the interior of the spa without scratching.

4. Excess Debris

Grit and debris tracked into the spa should be removed with a spa vacuum.

5. Water Line

To avoid buildup of oils and lotions at the water line, clean the interior when needed. We suggest the DuraMitt to clean without scratching. **NOTE:** Do not use the same brush or mitt to clean the exterior of the spa and the interior of the spa. Soap and other product residue used on the outside of the spa can cause foaming of the spa water and scratches to the spa surface if used on the inside of the spa.



Remove lamp socket from back of light assembly.

6. Light Bulb Replacement

- A. Turn off the power to the spa.
- B. Remove the equipment area door to find the light access. (See EQUIPMENT DIAGRAM.)

- C. Remove the lamp socket from the back of the light assembly by turning counterclockwise and pulling at the same time.
- D. Gently pull the bulb out of the lamp socket and replace it with a **6 watt bulb only (GE #918)** available from your spa dealer.
- E. Install the lamp socket back into the light assembly and replace door.

SUSPENDED USE OR WINTERIZING THE SPA

Your spa was designed for year-round use and many people find the combination of hot water, therapy jets, and cool winter temperatures to be especially soothing. However, if you decide to discontinue the use of your spa for any extended period of time, we suggest you follow the steps below.

NOTE: During long periods of inactivity, damage can occur to equipment from condensation within the equipment compartment.

1. Turn off the power to the spa.
2. Drain the spa. (See DRAINING AND REFILLING THE SPA.)
3. Remove all residual water from the seating and footwell. If necessary, bail out the remaining water then dry the spa with towels. A wet/dry vacuum is recommended for best results.
4. Using the wet/dry vacuum, place vacuum nozzle over each jet nozzle to remove water from plumbing lines, starting with the highest jet and finishing with the lowest jet.
5. Unscrew the pump plug from the pump. (See STARTING YOUR SPA.)
6. Again, using the wet/dry vacuum, place nozzle over the exposed pump opening to remove excess water. The pump should be removed from the spa and stored in a climate-controlled room.
7. Clean the spa interior.
8. Clean the filter cartridge.
9. Reinstall the spa cover and lock in place.

NOTE: Direct sunlight on the spa surface can cause severe damage or blemishing and can result in the voiding of any surface warranties.

10. For added protection, cover the entire spa with a Marquis Protective Spa Cover.

IMPORTANT CHEMICAL SAFETY PROCEDURES

1. Always keep chemicals out of reach of children.
2. Read product labels carefully prior to use.
3. When dissolving, always add chemicals to water, do not add water to chemicals. Some dry chemicals should be dissolved prior to adding them to the spa. Using a clean container, dip some water from the spa. Mix until dissolved, then add to circulating water.
4. **CAUTION:** Do not add chemicals together. Add them separately to the spa water.
5. All chemical products should be stored in a cool, dry, well-ventilated area where the average temperature does not exceed 90°F (32°C). Keep storage area clean of debris such as rags, newspaper, and combustible materials.
6. Keep chemicals away from open flame or other heat source. Do not smoke near chemicals. If a dry chlorine chemical fire should occur, use water only. Do not use a dry chemical fire extinguisher to attempt to put out the fire.
7. When adding chemicals, always keep the water circulating in the spa with jets in a downward circular pattern for better chemical distribution. Add chemicals to the spa water one at a time. Allow several minutes between any new chemical additions using the jet action to evenly distribute throughout the spa.
8. Wait approximately 15 minutes after adding chemicals to retest your water for an accurate reading. Retest your spa water before using.
9. If you have any questions or concerns about the correct procedures for handling chemicals, please contact your spa dealer or Marquis Corp.

UNDERSTANDING WATER BALANCE

Water balance is the interrelation of factors that determine the quality of the spa water. The effectiveness of chemicals and other additives are dependent on all these factors working together or “in balance”. The primary elements to water balance are sanitizing, monitoring pH and alkalinity levels, and oxidizing or shocking.

It's important to understand that a spa is not just a “small swimming pool” and that the care of a spa needs to be handled differently. In addition to the fact that a spa is kept at a temperature of up to 104°F (40°C) and pool chemicals are designed for cool water, the ratio of people per gallon in a spa is also very different. Four people in a spa is the equivalent of having 200 people in a typical backyard pool. This increased “bather load” increases the residue from soaps, perfumes, body oils, cosmetics, and other contaminants. **Always use water treatment products designed for spa use.**

Sanitizing Methods

The use of an ozonator (option) greatly reduces the amount of chemical sanitizer you need in the water. Ozone works by delivering activated oxygen gas into the spa water via an ozone injector fitting. The ozone gas combines with contaminants to sanitize the water. Although sometimes promoted as a stand-alone chemical free alternative, we recommend that you maintain a small residual of chlorine or bromine in the water while using any ozone system. Supplementing the water with sanitizer controls and prevents bacteria growth. Instead of the normal 3 - 5 ppm of sanitizer recommended, you only need to maintain a 0.5 ppm level of chlorine or bromine when using an ozonator.

Alkalinity

Alkalinity acts as a buffer to prevent the pH level from changing as other substances are added to the water. Proper alkalinity is directly related to the stability of the pH. The alkalinity should be between 80 - 120 ppm. Alkalinity levels below 80 ppm make it very difficult to stabilize the pH level. Levels above 120 ppm may increase pH levels and cause cloudy water, scaling, and decreased efficiency of the sanitizer.

pH Level

The pH level measures the relative acidity and basicity of the water. The ideal pH level is 7.2 - 7.8. When the pH level falls below 7.2 the water can become corrosive. Low pH can cause damage to metal in the equipment pack and heaters, excessive sanitizer consumption, and skin irritation. A pH level above 7.8 can be scale-forming and allows metals or minerals in the water to form deposits and stain spa surfaces.

Shocking

Once bacteria and other wastes are neutralized by the sanitizer, they stay in the water unless oxidized or shocked. Often called chloramines or bromamines, they create dull, cloudy water and can cause odor and eye or skin irritation. Shock Treatment rids your spa of these wastes for clear, sparkling water. Shocking is recommended once a week or whenever the water appears dull or cloudy or has a strong chlorine odor.

NOTE: A strong chlorine odor indicates that the spa needs to be shocked – not that there is too much chlorine in the water. A properly balanced spa that is shocked regularly will not have a chlorine odor.

Balancing the Water

When initially filling or refilling your spa follow these steps to achieve proper water balance.

Important! Always circulate the water for at least 15 minutes after making any chemical additions, before retesting water, or adding any additional products.

1. Test the spa water using a Test Strip (see label for easy dip and read directions).
2. Determine the pH and alkalinity level of the water using the color comparison chart on the bottle.
3. If changes need to be made to the pH and/or alkalinity level to put them within the recommended range, always balance the alkalinity before balancing the pH.

The product(s) you should use to adjust pH and/or alkalinity are pH & Alkalinity Increase or pH & Alkalinity Decrease. Make any chemical additions per the directions on the bottle and then test and repeat if necessary until all readings are in the desired range.

4. After pH and alkalinity levels are in the recommended range, you can establish a sanitizer residual of 0.5 ppm. Add one-half ounce of Chlorine per 500 gallons of water. Test and repeat if necessary until there is a 0.5 ppm residual of sanitizer in the water.

Water characteristics vary depending on the local water supply. You may need to “fine tune” the spa water due to these variations. Your dealer may suggest the use of the following products when filling the spa based on your water conditions.

Metal and Stain Control

If minerals such as calcium, iron, copper, or manganese exist in your water supply, they can stain spa surfaces. Metal & Stain Control prevents spa staining. Add per label directions for the gallons of your spa each time you freshly fill the spa with water.

Calcium Hardness Increase

It is critical to have some calcium in your water, however, the level of calcium should be between 200 – 400 ppm. High calcium levels can cause scale buildup on spa surfaces and equipment. Your spa is protected against high calcium by using Metal & Stain Control when initially filling your spa. Low calcium levels can cause spa water to become highly corrosive and damaging to the spa equipment and plumbing. To raise calcium levels, use Calcium Hardness Increase.

WATER CARE REGIMEN

Spa care products are classified by easy to follow usage guidelines. The information below indicates whether the product should be used daily, weekly, monthly, when filling, or as needed – if special water conditions arise. (Products classified as “Filling” are described on the previous page.)

DAILY

Sanitizer is the only product in this category. You should maintain the recommended sanitizer level at all times. This does not mean you may have to add sanitizer daily, just that you need to test the sanitizer level regularly and especially before and after each spa use. Choose and maintain one of the following sanitizer options:

Chlorine

Chlorine is the recommended sanitizer. The granular formula dissolves rapidly and creates an immediate sanitizer level when added to the spa. Marquis SpaCare Chlorine can be used in conjunction with the Marquis Ozone System.

Bromine Concentrate

For a different sanitizing option, bromine tablets are slowly dispensed into the spa via an adjustable, floating bromine dispenser. When using bromine in conjunction with the ozone system, you should maintain a level of 0.5 ppm. As a stand-alone sanitizer without the aid of ozone, you should maintain a level of 3 - 5 ppm. Bromine is not recommended for use with Nature².

WEEKLY

The following products should be added once a week:

Shock Treatment

Sanitizer combines with bacteria and neutralizes it on contact. However, the used sanitizer/bacteria particle is still present in the spa water. Used sanitizer in the water emits a chlorine odor and causes cloudy water. To oxidize, or rid the spa of this used sanitizer, you must shock the spa once a week.

AS NEEDED PRODUCTS**pH & Alkalinity Increase and
pH & Alkalinity Decrease**

These two products work to raise or lower the pH and alkalinity levels in the spa and are only needed if the test strip indicates the levels are not in the ideal range.

Clarifier

Microscopic particles can pass right through the spa filter and create cloudy water. The use of Clarifier combines these microscopic particles into larger particles that can be trapped in the filter to clear cloudy water.

Foam Eliminator

If foam appears in your spa, the action of the jets will keep it from dissipating. The use of Foam Eliminator instantly rids your spa water of foam.

Spa Perfect

This natural enzyme breaks down body oils and lotions before they form a ring around the water line and clog the spa filter.

TROUBLESHOOTING GUIDE

- C: Cause
- S: Solution

CLOUDY WATER

- C: Inadequate filtration or dirty filter.
- S: Check that the filter is securely installed. Clean or replace filter.

- C: Water is not balanced.
- S: Treat water with Shock and test water with a Water Test Strip.
Adjust sanitizer level, pH, and alkalinity levels as needed.

- C: Unfiltered particles or chemically saturated water.
- S: Use Clarifier to combine particles; or drain, clean, and refill the spa.

CHEMICAL ODOR

- C: Too many chloramines/bromamines in the water.
- S: Treat water with Shock then adjust sanitizer level as necessary.

MUSTY ODOR

- C: Not enough sanitizer in water – bacteria or algae in water.
- S: Add sanitizer as necessary and shock. Read-just sanitizer level if necessary.

YELLOW WATER

- C: Low pH.
- S: Adjust pH with pH and Alkalinity Increase.

FOAMING

- C: High concentration of body oils, lotions, or soaps as well as high temperatures and excessive contaminants.
- S: Use Foam Eliminator and adjust pH and sanitizer levels as needed.

SCUM LINE IN SPA

- C: Body oils and dirt.
- S: Use Spa Perfect once a week to break down oils and lotions to prevent scum from forming.

FAILURE TO GET A SANITIZER READING ON TEST STRIP

- C: Sanitizer level is too low.
- S: Add chlorine or bromine until the sanitizer registers in the recommended range on the test strip.

- C: Algae present.
- S: Dirty water consumes the sanitizer as soon as it is added. Add more chlorine or bromine until the sanitizer registers and stays in the recommended range on the test strip.

- C: Test strip remains “white” even after sanitizer has been added.
- S: Sanitizer level is extremely high. It can bleach the reagents on the test strip and give a false reading. (See below.)

TOO MUCH SANITIZER IN THE WATER

- C: Too much chlorine or bromine added or dispensed into the spa.
- S: Remove spa cover and activate jets and air control. Allow jets to run for 30 minutes. Test water with a Water Test Strip to see if desired level has been reached.

EYE OR SKIN IRRITATION

- C: Contaminants or excessive amount of chloramines/bromamines in water.
- S: Treat water with Shock. Adjust sanitizer level.

- C: pH level is low.
- S: Adjust pH level as needed.

CORROSION OF METAL

- C: Low pH level.
- S: Adjust pH level with pH and Alkalinity Increase.

GREEN WATER/ALGAE

- C: Low sanitizer level or high pH.
- S: Adjust pH and sanitizer as necessary.

ERRATIC pH TEST COLOR

- C: Sanitizer level is too high. (See TOO MUCH SANITIZER IN THE WATER.)
- S: Test pH again when sanitizer level is below 5 ppm.

Everyday ^{Get into it!} Hot Tubs™

LIMITED WARRANTY

SPA SHELL, SPA SHELL LEAKS, AND STRUCTURE

Marquis Corp. warrants the spa shell against peeling, cracking, yellowing, blistering, or delamination for a period of five years from date of purchase.

Spa shell and structure are warranted against leaks for a period of five years from date of purchase.

SPA CABINET AND SPA BASE

Marquis Corp. warrants the EasyCare™ exterior and EasyCare spa bottom against peeling, cracking, blistering, or delamination for a period of three years from date of purchase.

Natural cedar exterior is warranted to be free from defects in workmanship at time of sale.

PLUMBING

Marquis Corp. warrants the jet fittings, internal plumbing, internal glue joints, and all bonded parts against leaking for three years.

MAJOR COMPONENTS AND SYSTEMS

Marquis Corp. warrants the heater, jet pump, pump seal, controls and equipment pack against any malfunction or defect in materials or workmanship for a period of three years from date of purchase.

FACTORY-INSTALLED PARTS

Marquis Corp. warrants all factory-installed spa parts, system, and components including drain bib, GFCI cord, gaskets, fuses, removable jet fittings*, skimmer lid*, light bulbs*, light lens*, spa cover*, and cover locks and latches*, for a period of one year from date of purchase. Filter cartridge is excluded from extended warranty, but is warranted to be free from defects at time of sale.

*Customer must return part to dealer for replacement.

This warranty extends to the original retail purchaser of the spa for personal, family, or household purposes only. This warranty is not transferable.

LIMITED WARRANTY

In order to obtain the benefit of this warranty, the spa owner shall notify their authorized Everyday Hot Tubs™ dealer of any problem or warranty claim within thirty days of the time the problem is discovered.

In the event the spa owner is unable to obtain parts or service from an authorized Everyday Hot Tubs dealer, the spa owner should notify the Customer Service Department of Marquis Corp. Notice of a problem can be sent to Marquis via email at service@marquiscorp.com; in writing to Marquis Corp., 596 Hoffman Road, Independence, OR 97351-9601; or by phoning Marquis at 1-800-275-0888. Direct all correspondence to Customer Service Department.

PERFORMANCE OF WARRANTY

Marquis Corp. agrees to repair any plumbing or surface defects and to repair or furnish a replacement for any factory-installed component covered under this warranty which, upon test and examination by Marquis Corp., proves defective. All materials for examination must be returned to Marquis Corp. freight prepaid.

Replacement parts, including light bulbs, skimmer lids, removable jet fittings, covers, and cover locks and latches should be returned by the customer to the authorized Everyday Hot Tubs dealer for replacement. Your authorized Everyday Hot Tubs dealer reserves the right to assess travel charges for service calls which are beyond the scope of its normal service area.

INVALIDATION OF WARRANTY

This warranty is void if this Everyday Hot Tub has been subjected to alteration, misuse, or abuse, or if any repairs on the spa are performed or attempted by anyone other than an authorized Everyday Hot Tubs service center. "Alteration" is defined as any component or plumbing change, electrical conversion, or the addition of any alternative heating or sanitation device(s), which contribute to component or unit failure. "Misuse" and "abuse" shall include, without limitation, any installation, maintenance, or operation of the spa other than in accordance with Marquis Corp. printed instructions (located in the Owner's Manual) or use of the spa in a manner or for a purpose other than for which it was designed. Under no circumstances shall Marquis Corp. or any of its representatives be held liable for injury to any person or damage to any property, however arising.

Other items not included in this warranty are freight expense; labor and material costs associated with removal and/or replacement of spa; damage to the spa surface and equipment due to the use of trichlor chlorine or other harsh chemicals not recommended by Marquis Corp.; and damage to or fading/staining of the spa surface or equipment caused by impact, scratching, abrasive or corrosive cleaners, or extreme water temperatures (outside the range of 32°F to 120°F, 0°C to 49°C). *Damage to the spa surface caused by leaving the spa uncovered and empty of water with direct exposure to sunlight will invalidate this warranty.*

Other costs not associated to the direct repair of the spa, such as phone charges, missed work, and damage caused to the spa beyond Marquis control, are not included in this warranty. Items beyond Marquis control include but are not limited to damage resulting from: improper electrical connections, accidents, failure to follow procedures defined in the Everyday Hot Tubs Owner's Manual, cleaning agents, and lightning and other natural occurrences.

IMPORTANT: Some states do not allow the exclusion or limitation of incidental or consequential damages, therefore the above limitations or exclusions may not apply to you.

DISCLAIMERS

There are no additional warranties, expressed or implied, which extend beyond the terms of this limited warranty. Marquis Corp. makes no warranty of merchantability of the goods or the fitness of the goods for a particular purpose.

No other person or entity has been authorized to make any warranty, representation or promise of performance not included in this express written warranty, and Marquis Corp. shall not be bound by any such additional warranty, representation, or promise.

Some states do not allow limitations on how long an implied warranty lasts, therefore, the above limitation may not apply to you.

This warranty gives you specific legal rights. You may also have other rights that may vary from state to state.