

OWNER'S MANUAL



LEISURE SERIES



SPORT SERIES



COASTAL SERIES



ULTIMATE SERIES


MARQUIS SPAS®

OWNER'S MANUAL

WELCOME TO THE SPA LIFE!

Please enjoy your new Marquis spa, but think "Safety First". Read your Owner's Manual in its entirety before installing your spa and encourage all spa users to do the same. More than just common sense, this Owner's Manual provides vital safety and operational information.

Every effort has been made to ensure the accuracy of this manual. However, Marquis Spas reserves the right to improve its product without notice. This could create a minor variation between this manual and the actual product you receive. We apologize for any inconvenience this may cause.

SERIAL NUMBER LOCATION

On your spa, the serial number is engraved directly above the filter canister area. On models listed by Underwriters Laboratories, you will also find the serial number on the tag in the equipment area.

PLEASE FILL OUT AND KEEP FOR FUTURE REFERENCE

Name of Purchaser

Date of Purchase

Address

City

State

Zip Code

Signature

Telephone

Spa Model / Series / Color

Spa Serial #

Pack Serial #

Retailer's Name

Retailer's Address

Telephone

City

State

Zip Code

We sincerely hope your spa life is a pleasant experience. If problems should arise, contact your Marquis retailer. Or contact Marquis Corp. by using one of the methods below.

596 Hoffman Road, Independence, OR 97351
Voice: (503)838.0888 (800)275.0888
e-mail: service@marquiscorp.com • www.marquisspas.com
Copyright Marquis Corp. 1/2001 • 710-0812



MARQUIS SPAS®

IMPORTANT SAFETY INSTRUCTIONS

120V, 240V, All Spa Models, Personal Safety.....3-6

SPA INSTALLATION

Location.....7-8
 Ozonator Installation.....8-9
 Electrical Requirements.....9-10

STARTING YOUR SPA

10-11

OPERATING YOUR SPA

Priming the Pump.....12
 Hydrotherapy Jets.....13

SPA SPECIFICATIONS – ALL MODELS

14

LEISURE SERIES MODELS & EQUIPMENT DIAGRAMS

Oasis.....15
 Spirit.....16
 Spirit LX.....17
 Mirage.....18
 Mirage LX.....19
 LS Controls.....20-22
 Zoned Jetting Operation.....22-24

SPORT SERIES MODELS & EQUIPMENT DIAGRAMS

500.....25
 500 LX.....26
 600.....27
 600 LX.....28
 700.....29
 700 LX.....30
 SS Controls.....31-33
 Zoned Jetting Operation.....34-38

COASTAL SERIES MODELS & EQUIPMENT DIAGRAMS

Destiny.....39
 Reward.....40
 Euphoria.....41
 Voyage.....42
 CS Controls.....43-46
 Zoned Jetting Operation.....47-50

ULTIMATE SERIES MODELS & EQUIPMENT DIAGRAMS

Marquis.....51
 Journey.....52
 US Controls.....53-55
 Zoned Jetting Operation.....56-59

SPA MAINTENANCE

Cleaning the Spa Interior and Exterior.....60
 Draining and Refilling the Spa.....60-61
 Winterizing the Spa.....62
 Spa Maintenance Schedule & Record.....63-64

TROUBLESHOOTING

Equipment and LCD Display Messages.....65-66
 Spa Water.....67-68

The following instructions are required to be printed by Underwriters Laboratories (UL) as a condition of the listing of this product. They contain important safety information, and we strongly encourage you to read and apply them.

IMPORTANT SAFETY INSTRUCTIONS

WHEN INSTALLING AND USING THIS ELECTRICAL EQUIPMENT, BASIC SAFETY PRECAUTIONS SHOULD ALWAYS BE FOLLOWED, INCLUDING THE FOLLOWING:

1. READ AND FOLLOW ALL INSTRUCTIONS

2. **WARNING:** To reduce the risk of injury, do not permit children to use this product unless closely supervised at all times.
3. **DANGER: RISK OF CHILD DROWNING.** Extreme caution must be exercised to prevent unauthorized access by children. To avoid accidents, ensure that children cannot use the spa or hot tub unless they are supervised at all times.

120 VOLT, CORD AND PLUG CONNECTED MODELS

4. **DANGER: RISK OF INJURY.** Connect only to a grounded source.
5. Do not bury the power cord.
6. **WARNING:** To reduce the risk of electric shock, replace a damaged cord immediately.
7. A ground terminal (pressure wire connector) is provided on the surface of the control box inside the equipment compartment. This connector should be bonded with a minimum No. 8 AWG (8.4mm²) solid copper wire between this unit and any metal ladders, metal water pipes, metal enclosures of electrical equipment, conduit or metal equipment within five feet (1.5m) of the spa. If the spa is located on a reinforced concrete pad, the reinforced steel should also be bonded to the ground terminal.
8. **WARNING:** Your spa is equipped with a ground fault circuit interrupter (GFCI) on the end of the power supply cord. Before each use of the spa, with the plug connected to the power supply and the unit operating, press the “test” button. The unit should stop operating and the GFCI power indicator will go out. Wait thirty seconds and then reset the GFCI by pressing the “Reset” button. The GFCI power indicator will turn on, restoring power to the spa. If the interrupter does not perform in this manner, it is an indication of an electrical malfunction and the possibility of an electric shock. Disconnect the plug from the receptacle until the fault has been identified and corrected.

NOTE: Failure to wait thirty seconds before resetting the GFCI may cause the spas’ power indicator on the control panel to blink. If this occurs, repeat the GFCI test procedure.

240 VOLT, PERMANENTLY INSTALLED OR CONVERTED MODELS

9. A ground terminal is provided on the terminal block (TB-1, terminal 7) located inside the control box. To reduce the risk of electric shock, connect this terminal to the grounding terminal of your electrical service or supply panel with a continuous green, insulated copper wire. The wire must be equivalent in size to the circuit conductors supplying the equipment. In addition, a bonding terminal (pressure wire connector) is provided on the outside of the control box for bonding to local ground points. To reduce the risk of electric shock, this connector should be bonded with a No. 8 AWG (8.42mm²) solid copper wire to any metal ladders, water pipes, or other metal within five feet (1.5m) of the spa to comply with local requirements.



10. Your spa uses ground fault circuit interrupters in the electrical sub-panel. Before each use of the spa and with the unit operating press the Test button on each breaker. The switch should click over to the "Trip" position. Wait thirty seconds and reset each GFCI breaker by switching it completely off and then completely on. The switch should then stay on. If either of the interrupters does not perform in this manner, it is an indication of an electrical malfunction and the possibility of an electric shock. Disconnect the power until the fault has been identified and corrected.
NOTE: Failure to wait 30 seconds before resetting the GFCI may cause the spa's Power Indicator (on the control panel) to blink. If this occurs, repeat the GFCI test procedure.

ALL SPA MODELS

11. Install the spa so proper drainage is provided for the compartment containing the electrical components.
12. **DANGER: RISK OF ELECTRIC SHOCK.** Install the spa at least five feet (1.5m) of metal surfaces if, in accordance with the National Electric Code ANS/NMFP70 - 1993, each metal surface is permanently connected to a minimum No. 8 (8.42mm²) solid copper conductor attached to the wire bonding connector on the terminal box that is provided for this purpose.)
13. **DANGER: RISK OF ELECTRIC SHOCK.** Do not permit any appliance, such as a light, telephone, radio, or television within five feet (1.5m) of the spa or hot tub.
14. **WARNING:** To reduce the risk of injury:
 - The water in the spa should never exceed 104° F (40° C). Water temperatures between 100° F (38° C) and 104° F (40° C) are considered safe for a healthy adult. Lower water temperatures are recommended for extended use (exceeding 10 minutes) and for young children.
 - Since excessive water temperatures have a high potential for causing fetal damage during the early months of pregnancy, pregnant or possibly pregnant women should limit spa water temperatures to 100° F (38° C).
 - Before entering a spa, the user should measure the water temperature with an accurate thermometer since the tolerance of temperature-regulating devices may vary as much as +/- 5° F (3° C).
 - The use of drugs, alcohol, or medication before or during spa use may lead to unconsciousness with the possibility of drowning.
 - Persons suffering from obesity or with a medical history of heart disease, low or high blood pressure, circulatory system problems or diabetes should consult a physician before using the spa.
 - Persons using medications should consult a physician before using a spa since some medication may induce drowsiness while other medication may affect heart rate, blood pressure, and circulation.
15. **DANGER: TO REDUCE THE RISK OF INJURY TO PERSONS.** Do not remove the suction fittings.
16. **DANGER: RISK OF INJURY:** Never operate a spa if the suction fitting(s) are broken or missing. Never replace a suction fitting with one rated less than the flow rate marked on the original suction fitting. The suction fittings in the spa are sized to match the specific water flow created by the pump. Should the need arise to replace the suction fittings or the pump, be sure that the flow rates are compatible.
17. **DANGER:** Children are especially sensitive to hot water. At no time should children have unsupervised access to the spa. Children must not be allowed to climb onto the spa cover: All Marquis Spas are equipped with a locking cover that meets the ASTM F1346-91 Standard for Safety Covers. Always lock the child resistant locks after using the spa for your children's safety.
18. **SAVE THESE INSTRUCTIONS.**



SAFETY INSTRUCTIONS

WARNING: Children should not use spas or hot tubs without adult supervision.

WARNING: Do not use spas or hot tubs unless all suction guards are installed to prevent body and hair entrapment.

WARNING: Do not use drugs or alcohol before or during the use of a spa or hot tub to avoid unconsciousness and possible drowning.

WARNING: People using medications and/or having an adverse medical history should consult a physician before using a spa.

WARNING: The use of alcohol, drugs, and medication can greatly increase the risk of fatal hyperthermia.

WARNING: Before entering the spa or hot tub measure the water temperature with an accurate thermometer.

WARNING: Water temperature in excess of 38°C may be injurious to your health.

WARNING: Prolonged immersion in a spa or hot tub may be injurious to your health.

WARNING: People with infectious diseases should not use a spa.

WARNING: Pregnant or possibly pregnant women should consult a physician before using a spa or hot tub.

WARNING: To avoid injury, exercise care when entering and exiting the spa or hot tub.

WARNING: Do not use a spa or hot tub immediately following strenuous exercise.

CAUTION: Maintain water chemistry in accordance with manufacturer's instructions.

WARNING: RISK OF ELECTRIC SHOCK. Do not permit any appliance, such as a light, telephone, radio, or television within five feet (1.5m) of the spa or hot tub.

The following information is included for French speaking spa owners.

AVERTISSEMENT: Ne pas placer d'appareil électrique (luminaire, téléphone, radio, téléviseur, etc.) moins de 1.52 m de cette cuve de relaxation.

AVERTISSEMENT: Ne pas laisser les enfants utiliser une cuve de relaxation sans surveillance.

AVERTISSEMENT: Pour éviter que les cheveux ou une partie du corps puissent être aspirés, ne pas utiliser une cuve de relaxation si les grilles de prise d'aspiration ne sont pas toutes en place.

AVERTISSEMENT: Pour éviter l'évanouissement et la noyade éventuelle, ne prendre ni drogue ni alcool avant d'utiliser une cuve de relaxation ni quand on s'y trouve.

AVERTISSEMENT: Les personnes qui prennent des médicaments ou ont des problèmes de santé devraient consulter un médecin avant d'utiliser une cuve de relaxation.

AVERTISSEMENT: La consommation d'alcool ou de drogue augmente considérablement les risques d'hyperthermie motrice dans une cuve de relaxation.

AVERTISSEMENT: Avant d'utiliser une cuve de relaxation mesurer la température de l'eau l'aide d'un thermomètre précis.

AVERTISSEMENT: Il peut être dangereux pour la santé de se plonger dans de l'eau plus de 38°C.

AVERTISSEMENT: L'utilisation prolongée d'une cuve de relaxation peut être dangereuse pour la santé.

AVERTISSEMENT: Les personnes atteintes de maladies infectieuses ne devraient pas utiliser une cuve de relaxation.

AVERTISSEMENT: Les femmes enceintes, que leur grossesse soit confirmée ou non, devraient consulter un médecin avant d'utiliser une cuve de relaxation.

AVERTISSEMENT: Pour éviter des blessures, user de prudence en entrant dans une cuve de relaxation et en sortant.

AVERTISSEMENT: Ne pas utiliser une cuve de relaxation immédiatement après un exercice fatigant.

ATTENTION: La teneur de l'eau en matières dissoutes doit être conforme aux directives du fabricant.

SAFETY SIGN

Each Marquis Spa is shipped with a SAFETY SIGN in the spa's Owner's Package. Underwriters Laboratories (UL) recommends this sign be permanently installed where it is visible to the users of the spa. To obtain additional Safety Signs, contact your Marquis Spas dealer and request Part #710-0789. Replacement Owner's Manuals are also available.

PERSONAL SAFETY

Prolonged immersion in hot water can result in HYPERTHERMIA, a dangerous condition which occurs when the internal temperature of the body reaches a level above normal (98.6° F). The symptoms of hyperthermia include dizziness, fainting, drowsiness, lethargy, and a body temperature above 98.6° F. The physical effects of hyperthermia include unawareness of impending hazard, failure to perceive heat, failure to recognize the need to exit the spa, physical inability to exit the spa, fetal damage in pregnant women, and unconsciousness resulting in a danger of drowning.

WARNING: The use of alcohol, drugs, or medication can greatly increase the risk of fatal hyperthermia in hot tubs and spas.

Persons taking medications which induce drowsiness such as tranquilizers, antihistamines or anticoagulants should not use the spa. Pregnant women and persons with a medical history of heart disease, diabetes, or high blood pressure should consult a physician before using the spa.

PERSONAL SAFETY DO'S:

- Be sure your spa is connected to the power supply correctly – use a licensed contractor.
- Disconnect the spa from the power supply before draining the spa or servicing the electrical components.
- Test the GFCI monthly.
- Test the water temperature with your hand before entering the spa to be sure that it's a comfortable temperature.
- Remember that wet surfaces can be very slippery. Take care when entering and exiting the spa.
- Use the safety cover when the spa is not in use, whether it is empty or full of water.
- Keep the water clean and sanitized with correct chemical care.
- Turn on the jets when adding ANY spa water chemicals into the filtration compartment.
- Clean the filter cartridge(s) monthly to remove debris and mineral buildup which may affect the performance of the hydrotherapy jets, limit the flow, or trip the high limit thermostat which will turn off the entire spa.

PERSONAL SAFETY DON'TS:

- Don't use the spa with the equipment compartment door removed.
- Don't use the spa for long periods of time at water temperatures in excess of 104° F.
- Don't allow the jet pump(s) to operate for an extended period of time with the cover in place. Extended pump operation will cause a slow heat buildup due to water friction. The spa equipment controls are equipped with a built-in safety timer that will automatically shut off the jet pump(s) after 15 minutes of continuous operation should it have been left on inadvertently.
- Don't operate the spa at any time with the filter cartridges removed.
- Don't lift or drag the cover by using the tie-down straps; always lift and carry by using the handles.
- Don't store chemicals in the spa's equipment compartment.
- Don't hesitate to call your Marquis Spas representative with any questions or maintenance concerns.

LOCATION

For your portable spa to function properly and safely, it must be located on a hard, flat, level surface. In-ground spas require special installation techniques and should be planned in conjunction with your spa dealer. Improper installation can result in structural damage to the spa and the voiding of your spa warranty. Items to discuss with your dealer include: Local construction codes, electrical service requirements, serviceability of equipment, present underground obstructions such as gas, water and telephone lines, safety measures such as fences, locks and visibility of the spa installation from the home, street and neighbors.

- You must allow for sufficient water drainage around the spa to help preserve the equipment and support structure.
- Your spa **MUST** be installed to permit access for servicing the equipment above and/or below any decks or floors. Access is essential and must allow adequate room for service.
- Be sure the spa is in the final position **BEFORE** filling with water. Check for power cords, tools, and hoses that may be caught underneath the spa.

CAUTION: Never try to move a spa that has not been fully drained. To do so could result in damage to the spa and physical injury to the mover.

IMPORTANT: DO NOT LET AN EMPTY SPA REMAIN EXPOSED TO DIRECT SUNLIGHT FOR MORE THAN A FEW MINUTES. Spa surface temperatures can reach in excess of 150° F (65°C) if left exposed to the sun. Significant damage can occur if this is allowed to happen, including warping and blistering of the surface. Damage, which may occur as a result of this exposure, is not covered under the warranty. All warranties have exclusions to this type of damage.



SHUT-OFF VALVES

- ◀ Your spa is equipped with shut-off valves (see equipment diagram on spa model page) that shut off the water flow to the equipment system for dealer service. At times, a new spa or one that has recently been serviced, may have the shut-off valves partially closed which can restrict the water flow and hinder jet performance. Be sure the valves are fully open.

FREEZE PROTECTION

When a freeze condition is detected (which occurs when the temperature in the heater housing drops to 40° F) the jet pump(s) is automatically activated.

In areas with extreme cold winter conditions, your spa should be fine as long as it is left running at normal operating temperatures. If you plan to turn the spa off, you must follow the instructions in this manual for winterizing your spa.

OVERHEATING

In the case of extended hot weather, the spa water temperature may reach and maintain 104° F to 106° F. This is due to the ambient temperature and the full insulation in the spa cabinet. The simplest solution to this heat buildup is, lifting the spa cover a few inches for several hours to allow the heat to escape. You may also have the option of shortening the pump-run time. See Control panel section for available options.

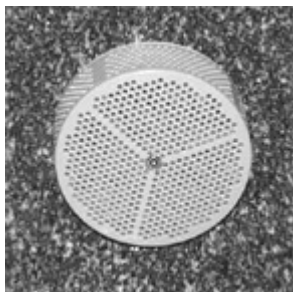
FILTER CARTRIDGE

Your portable spa is equipped with the Constant Clean™ Filtration system. All 2000 and beyond Marquis Spas use #5040, 50 sq. ft. T-Handle Filter cartridge.

Oasis, Spirit, Mirage, Spirit LX, Mirage LX, 500, 600 and 700: Features Vortex Filter that includes Hi-Flo Vortex skimmer and filament filter cartridge.

500 LX, 600 LX, 700 LX, Reward, Destiny, Euphoria, Voyage, Marquis and Journey US: Features two Vortex Filters which include Hi-Flo Vortex skimmers and filament filter cartridges.

NOTE: It is very important that the components of these filtration systems be installed properly in the proper part of the spa (see jetting diagram and REMOVING THE FILTER for complete instructions).



◀ SUCTION FITTINGS

There are suction fittings in the footwell of your spa. These are openings through which the jet-pumps draw water. They have been equipped with safety covers. Suction through the fittings can be strong. The safety covers must remain in place and undamaged. A fitting with a damaged cover can be dangerous, especially to small children or people with long hair. Should any part of the body become drawn to a fitting, turn the jet-pump off immediately. Long hair should be restrained in a bathing cap, never allow it to float freely in the spa. Replace any missing or damaged suction covering.

OZONATOR INSTALLATION ON LEISURE AND SPORT SERIES

If your Leisure or Sport Series spa was not originally equipped with an ozone generator and you would like to install one, refer to the following instructions and those supplied with the ozonator. **NOTE:** The only ozonator U.L. listed for your spa is the Marquis Spa Ozone Generator, available at your Marquis retailer, part OZU 120.

1. Turn off the power to the spa.
2. Open the equipment area door.
3. Plug the ozonator into the ozone receptacle on the spa control box.
4. Cut a 5" piece of the supplied 1/4" tubing and using silicone sealant, push one end onto the 1/4" barbed fitting on the ozonator.
5. Into the other end of this tube, insert the supplied check valve, being sure the direction of flow is away from the ozonator, not toward it.
6. Cut a long piece of tubing and make a loop approximately 8-10" in diameter, then push it onto the exposed end of the check valve.

7. Remove the black cap from the barbed fitting suspended above the equipment (some water may drip from this fitting, have a towel handy).
8. Place the exposed tubing end on the 1/4" barb.
9. There is a labeled mounting block attached to the spa which shows the mounting position of ozonator.

CAUTION: DO NOT PREDRILL SCREW HOLES.

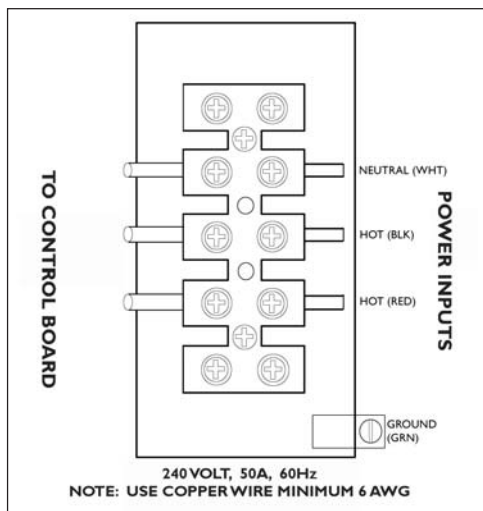
10. Turn on the power to the spa. You will see the ozonator's blue light turn on and bubbles come out of the single ozone jet in the spa with the primary pump on low-speed operation.
11. Close the equipment door.

ELECTRICAL REQUIREMENTS

It is the responsibility of the spa owner to ensure that all electrical connections are made in accordance with all electric codes in effect at the time of installation.

240 Volt:

All connections must be made in accordance with the wiring diagram found on the inside of the control box cover. Connections should be made with copper conductors only – aluminum wiring should not be used with this system. All conductors, circuit breakers, and/or fuses must be sized in accordance to the Total Amperage Load as specified:



- Permanently connected
- Rated 240V, 60Hz, 50A, three wires plus ground (6 AWG copper)
- Fuse or circuitbreaker size: 50 amp

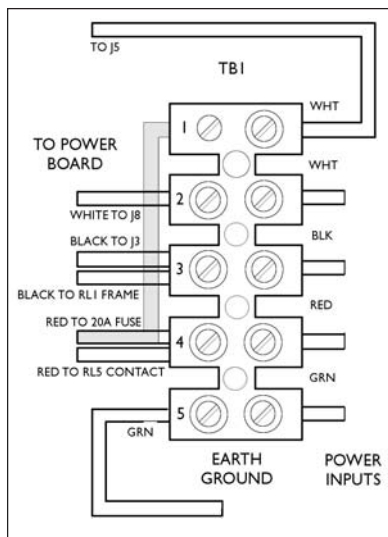
This equipment is designed to operate on 60Hz Alternating Current only at a voltage of 240. Units to be operated at 240V must have all connections made by a qualified electrician in accordance with any electric codes in effect at the time of installation. All 240V

units require a three wire plus ground (line 1, line 2, neutral, ground). Refer to the label at the terminal block.

A pressure wire connector is located on the exterior of the control box. If the installation includes a common bonding grid (reinforced concrete slab, ground plate beneath the spa, or any metal water pipe connection), this pressure wire connector should be bonded, with at least #8 AWG (8.42mm², #6 in Canada) copper wire, to any metal ladder, water pipe, or other metal, within five feet of the spa.

MJ INSTALLATION INSTRUCTIONS

(CONTINUED)



120 Volt:

120V units must only be connected to a properly grounded, grounding type 15 amp receptacle. 120V equipment is designed to operate on 60Hz Alternating current only at a voltage of 120, 12.5 amp. maximum load.

To Convert 120V to 240V

All connections must be made by a licensed electrician.

1. Disconnect from power and remove cord.
2. Move red wire (TB-1) to (TB-4) as indicated by gray area.
3. Move the Heater Mode selector (J23) on the Control Board from (20A) to (50A) position.

Ground Fault Circuit Interrupters (GFCI), #8145, are available from your Dealer.

MJ STARTING YOUR SPA

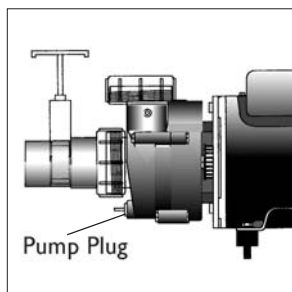
START-UP PROCEDURE

Your spa is equipped with solid state preprogrammed Comfort Controls specific to your spa model. Please see the CONTROLS section listed under your particular spa series model.

To start your spa, you will need a spa water test kit and an underwater thermometer. It is important to follow each of these steps when starting your spa.

Leisure Series Models Start-up:

1. Place spa on a hard, flat, level surface. Make sure the power supply is off.

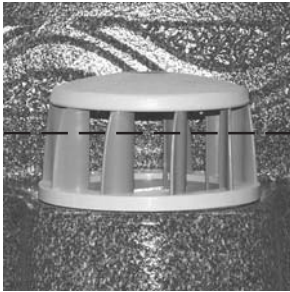


2. Make sure that the suction fittings in the footwell are in place and undamaged.
3. Open the equipment door. Screw the pump plug (supplied in packet) into the face of the pump. Close the drain valve and screw the drain valve cap on tightly. Tighten all disconnects and open all shut-off valves. On models Equipped with AVWP external drain, close valve by turning outer ring clockwise. Be sure the center plug is in place and tighten.



STARTING YOUR SPA

STARTUP PROCEDURE



4. Fill the spa with water to two-thirds of the way up the ◀ Vortex skimmer opening(s). The use of a *Fill Filter*, #5039, is recommended, especially in areas with high mineral content in the water.
5. Turn the power on and wait five seconds.
6. At this time the spa should have water flowing from the jets. If the pump has not primed and water is not flowing from the jets after two minutes **TURN OFF POWER TO THE SPA** and vent air from the pumps by slightly opening the pump union. (See TROUBLE SHOOTING, Water Flow.)
7. Your spa water temperature is preset at 100° F. Use the TEMP SET pad on the bather's control panel to set the water temperature to the desired level.
8. **SHOCK** the water and test the water chemistry following the instructions in your Marquis Spa Care Water Treatment Guide, included with the spa. (Also see WATER CHEMISTRY GUIDELINES below.)
9. Place the cover on the spa. It will take 12 to 24 hours for the water to heat to set temperature.
10. Check the water temperature and adjust the setting if necessary. Normal use is between 98° and 102° F.

Sport, Coastal and Ultimate Series Models Start-up:

1. Follow steps one through three of Leisure Series Models Start-up.
2. Check to make sure the freeze line is properly connected.
3. Follow steps five through ten of Leisure Series Models Start-up.

WATER CHEMISTRY GUIDELINES

There are several methods available to sanitize the spa water. We recommend using chlorine or bromine and ozone. No other oxidizing agents are suggested. Use of other oxidizing agents may damage equipment and void the warranty.

Shock Sanitation:

Shock sanitize your spa water after filling it before using the spa. This treatment provides initial sterilization as well as kills any algae spores that may be present and oxidize undesirable minerals and organic matter in the raw water. Repeat shock treatment anytime the spa is refilled or the water has lost its chemical control due to neglect.

We recommend the use of sodium dichlorocyanurate (DyCloro) or lithium hypochlorite. Calcium hypochlorite is used for swimming pools and is not recommended for spas. Tri-Chloro is not recommended either.

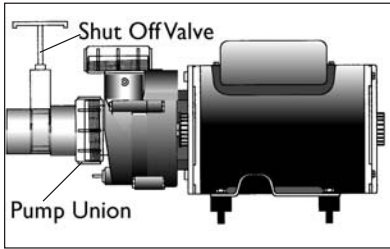
It's important that you read and follow the safety tips for chemical usage and storage listed in the *Water Treatment Guide*. (Also see RECOMMENDED CHEMICAL LEVELS under TROUBLESHOOTING.)

THERAPY PUMP(S)

Allow the spa to circulate on high-speed (see instructions for spa side controls) for 4-5 minutes to discharge air from the plumbing system. Do not expect hot water immediately from the jets; the heater will take several hours to heat the water.

Pr Diagnostic Message

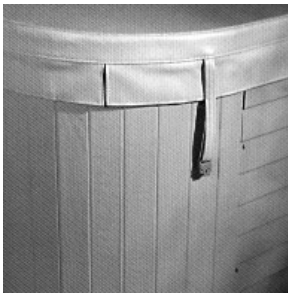
NOTE: Coastal and Ultimate Series spas have a "pump priming" feature which begins at start-up. When the spa is energized, the LCD panel will display a "Pr" message. This mode will last approximately four to five minutes if not exited manually. To exit



manually, press the TEMP SET pad. At this time the spa should have water flowing from the jets. If the pump has not primed and water is not flowing from the jets after two minutes, **TURN OFF POWER TO THE SPA.** Vent air from the pumps by slightly opening the pump unions (see TROUBLESHOOTING section, Water Flow). After turning the power on again, the spa will initiate a new priming mode. Repeat steps above.

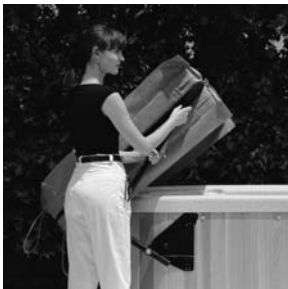
After you have manually exited the priming mode (or you allowed the spa to automatically exit) the LCD display will momentarily display 100° F and then the display will switch to - ° F. The system requires approximately one minute of water flow to determine the water temperature. After one minute of water flow, the temperature will be displayed as actual water temperature F. Press the TEMP SET pad to adjust the desired set temperature for the spa.

NOTE: Your spa has been filled and test-run at the factory. The first time your spa is filled with water, some discoloration from residual test water may appear. This will disappear when the spa is completely filled and the filtration system is functioning. Test the water for the proper chemical balance and adjust as necessary. *Marquis Spa Care™ Products* are recommended. **PROPER CHEMICAL BALANCE IS IMPORTANT.**



SAFETY ENERGY COVER

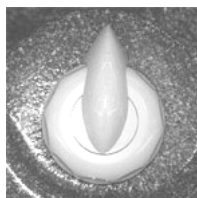
When the spa is not in use, the safety energy cover should be kept on the spa to retain the water's heat and to keep out dirt, leaves, etc. Your heater will maintain a constant water temperature between spa uses.



◀ For your safety and convenience, the cover is equipped with safety locks. Marquis suggests that you use them to help keep out unintended users and prevent covers from being blown off in windy conditions. For high wind areas, *Secure Straps* are available.

◀ Duralift cover lifts are also available to assist you in cover removal. See your Marquis Dealer.

MAXIMUM THERAPY JETTING SYSTEM



Jet Selector Valve

JET SELECTOR VALVE

The large, gray teardrop Jet Selector lever allows you to redirect the water flow to different jet zones. (See ZONED JETTING for specific options.)



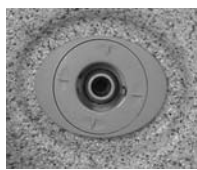
Iso Boost Jet

CASCADE NECK JETS

Your spa may be equipped with a Therapy Seat(s) featuring especially high Cascade Neck Jets. These jets are turned on and off (when the jet pump is on) using the small teardrop Neck Jet Control lever.

ISO BOOST JET

Small directional jets are strategically located to complement the larger jets. Simply moving the nozzle redirects the water for ideal massage. The water flow can be adjusted by using the four tabs on the face of the jet to turn it.



Power Boost Jet

POWER BOOST JET

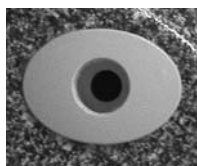
The direction of water flow can be changed by redirecting the central nozzle. The water flow can be adjusted by using the four tabs on the face of the jet to turn it.



Cyclo Swirl Jet

POWER SWIRL JET

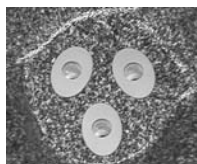
Large, rotating jets provide a firm, broad area of circular massage action. The water flow can be adjusted by using the four tabs on the face of the jet to turn it.



HK40 Jet

CYCLO BOOST JET

This large, versatile jet flows in a straight stream. The water flow can be adjusted by using the four tabs on the face of the jet to turn it.



Geysers/Whirlpool Jets

CYCLO SWIRL JET

This large, versatile jet can flow straight or can be made to rotate by pushing the nozzle to the side (push in the direction indicated by the point of its teardrop shape). The water flow can be adjusted by using the four tabs on the face of the jet to turn it.

HYDRO KINETIC (HK40) JET

Unique Jets are strategically positioned around the perimeter of the spa to produce a true whirlpool flow of water. This action provides a passive, whole body massage.

GEYSER/WHIRLPOOL JET

This high-flow jet is perfect for intense foot and leg massage.

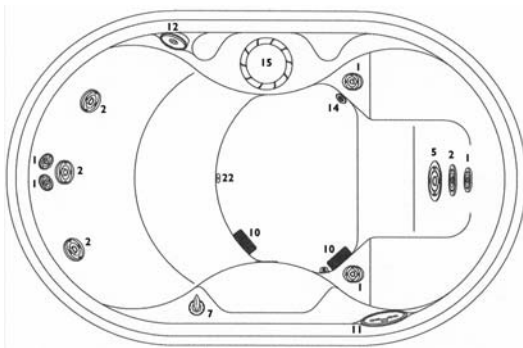
INTERCHANGEABLE JETS

Many jets are interchangeable. See your Marquis Dealer for additional jets to customize your hydrotherapy experience.



SPA SPECIFICATIONS

Spa Model & Series	Spa Dimensions	Electrical Required	Weight Dry/Full	Therapy Pump(s)	Water Capacity
Oasis Leisure Series	54"x84"x29"h 28" deep	120V/15 amp 240V/40 amp	340/ 1424 lbs.	1 2-speed 48 frame	130 gallons
Spirit Leisure Series	60"x84"x29"h 28" deep	120V/15 amp 240V/40 amp	410/ 1786 lbs.	1 2-speed 48 frame	165 gallons
Spirit LX Leisure Series	60"x84"x29"h 28" deep	240V/40 amp	410/ 1786 lbs.	1 2-speed 56 frame	165 gallons
Mirage Leisure Series	78"x78"x31"h 30" deep	120V/15 amp 240V/40 amp	475/ 2226 lbs.	1 2-speed 48 frame	210 gallons
Mirage LX Leisure Series	78"x78"x31"h 30" deep	240V/40 amp	475/ 2226 lbs.	1 2-speed 56 frame	210 gallons
500 Sport Series	78"x84"x33"h 32" deep	240V/50 amp	590/ 2240 lbs.	1 2-spd 56 frame 1 1-spd 48 frame	320 gallons
500 LX Sport Series	78"x84"x33"h 32" deep	240V/50 amp	590/ 2240 lbs.	1 2-spd 56 frame 1 1-spd 48 frame	320 gallons
600 Sport Series	84"x84"x35.5"h 34" deep	240V/50 amp	660/ 3162 lbs.	1 2-spd 56 frame 1 1-spd 48 frame	300 gallons
600 LX Sport Series	84"x84"x35.5"h 34" deep	240V/50 amp	660/ 3162 lbs.	1 2-spd 56 frame 1 1-spd 48 frame	300 gallons
700 Sport Series	84"x84"x35.5"h 34" deep	240V/50 amp	680/ 3348 lbs.	1 2-spd 48 frame 1 1-spd 48 frame	425 gallons
700 LX Sport Series	84"x84"x35.5"h 34" deep	240V/50 amp	680/ 3348 lbs.	1 2-spd 56 frame 1 1-spd 48 frame	425 gallons
Destiny Coastal Series	84"x84"x35.5"h 34" deep	240V/50 amp	690/ 3192 lbs.	2 2-speed 56 frame	300 gallons
Reward Coastal Series	84"x84"x35.5"h 34" deep	240V/50 amp	720/ 3388 lbs.	2 2-speed 56 frame	320 gallons
Euphoria Coastal Series	90"x90"x35.5"h 34" deep	240V/50 amp	800/ 4302 lbs.	2 2-speed 56 frame	420 gallons
Voyage Coastal Series	90"x90"x35.5"h 34" deep	240V/50 amp	810/ 4312 lbs.	2 2-speed 56 frame	425 gallons
Journey Ultimate Series	90"x90"x35.5"h 34" deep	240V/50 amp	850/ 4352 lbs.	3 2-speed 56 frame	425 gallons
Marquis Ultimate Series	90"x90"x35.5"h 34" deep	240V/50 amp	865/ 4034	3 2-speed 56 frame	380 gallons



Component Identification #

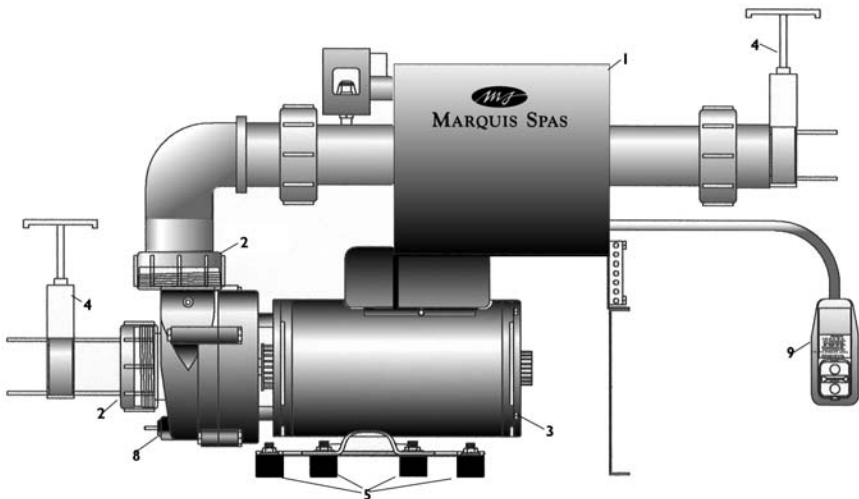
1	Iso Boost Jets	5
2	Power Boost Jets	4
5	Cyclo Swirl Jet	1
6	Light	1
7	Air Control Valve	1
8	Heat Sensor	1
10	Suction Fittings	2
11	Bather's Control Panel	1
12	Auxiliary Control Panel	1
14	Floor Drain	1
15	Filter Canister	1
22	Ozone Injector Fitting	1

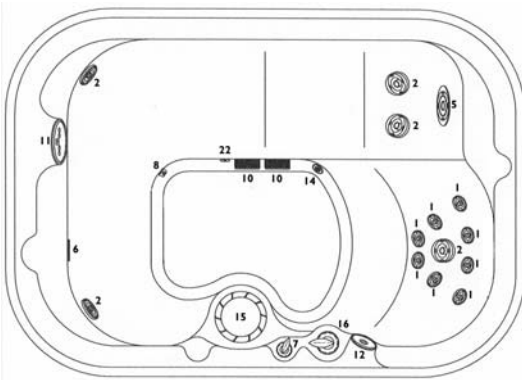
Physical Specifications

Dimensions	54" x 84"
Height	29"
Depth	28"
Seating Positions	3
Weight Dry Lbs.	340
Weight Full Lbs.	1424
Water Capacity	130 gallons
Total Therapy Jets	10

Maximum Therapy System #

1	Control Box & Heater	1
2	Pump Unions	2
3	Pump	1
4	Shut Off Valves	2
5	Motor Mounts	
8	Pump Plug	1
9	120V GFCI	1





Component Identification #

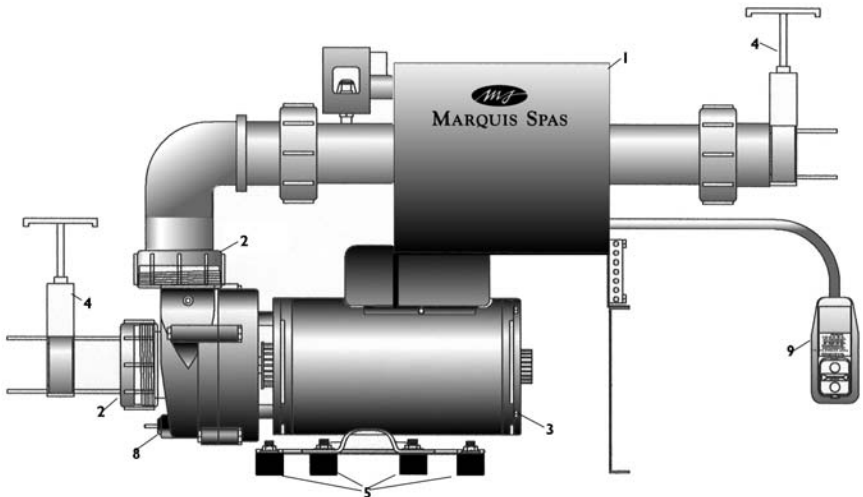
1	Iso Boost Jets	8
2	Power Boost Jets	5
5	Cyclo Swirl Jet	1
6	Light	1
7	Air Control Valve	1
8	Heat Sensor	1
10	Suction Fittings	2
11	Bather's Panel	1
12	Auxiliary Control Panel	1
14	Floor Drain	1
15	Filter Canister	1
16	Jet Selector Valve	1
22	Ozone Injector Fitting	1

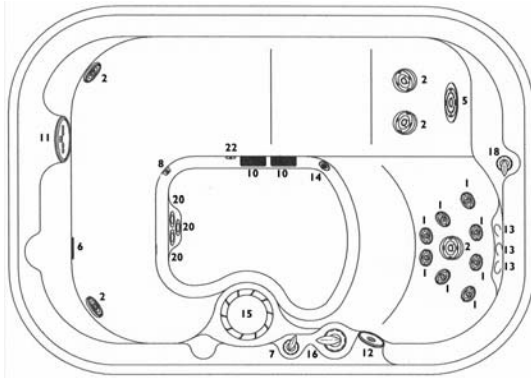
Physical Specifications

Dimensions	60" x 84"
Height	29"
Depth	28"
Seating Positions	4
Weight Dry Lbs.	410
Weight Full Lbs.	1786
Water Capacity	165 gallons
Total Therapy Jets	14

Maximum Therapy System #

1	Control Box & Heater	1
2	Pump Unions	2
3	Pump	1
4	Shut Off Valves	2
5	Motor Mounts	
8	Pump Plug	1
9	120V GFCI	1





Component Identification #

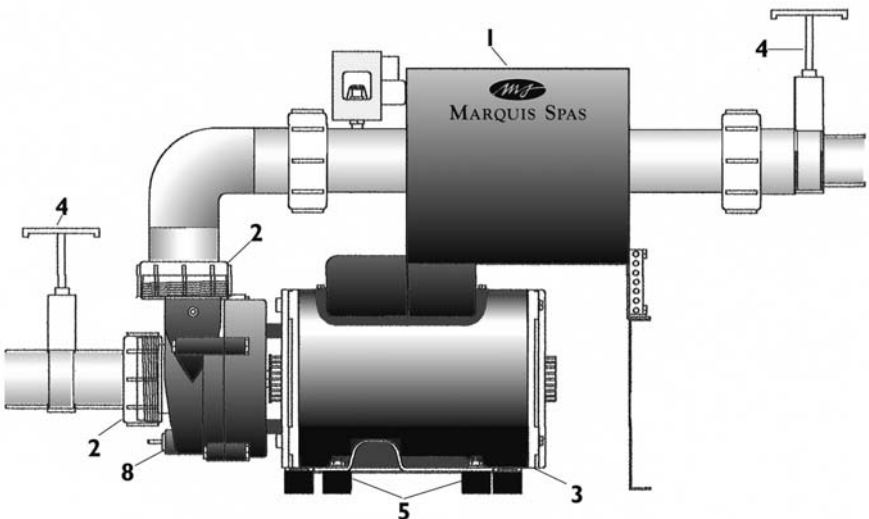
1	Iso Boost Jets	8
2	Power Boost Jets	5
5	Cyclo Swirl Jet	1
6	Light	1
7	Air Control Valve	1
8	Heat Sensor	1
10	Suction Fittings	2
11	Bather's Panel	1
12	Auxiliary Control Panel	1
13	Cascade Neck Jets	3
14	Floor Drain	1
15	Filter Canister	1
16	Jet Selector Valve	1
18	Neck Jet Control Valve	1
20	Geyser Jets	3
22	Ozone Injector Fitting	1

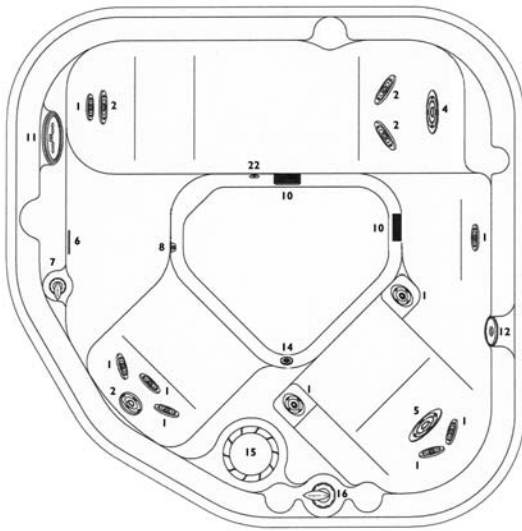
Physical Specifications

Dimensions	60" x 84"
Height	29"
Depth	28"
Seating Positions	4
Weight Dry Lbs.	410
Weight Full Lbs.	1786
Water Capacity	165 gallons
Total Therapy Jets	20

Maximum Therapy System #

1	Control Box & Heater	1
2	Pump Unions	2
3	Pump	1
4	Shut Off Valves	2
5	Motor Mounts	
8	Pump Plug	1





Component Identification #

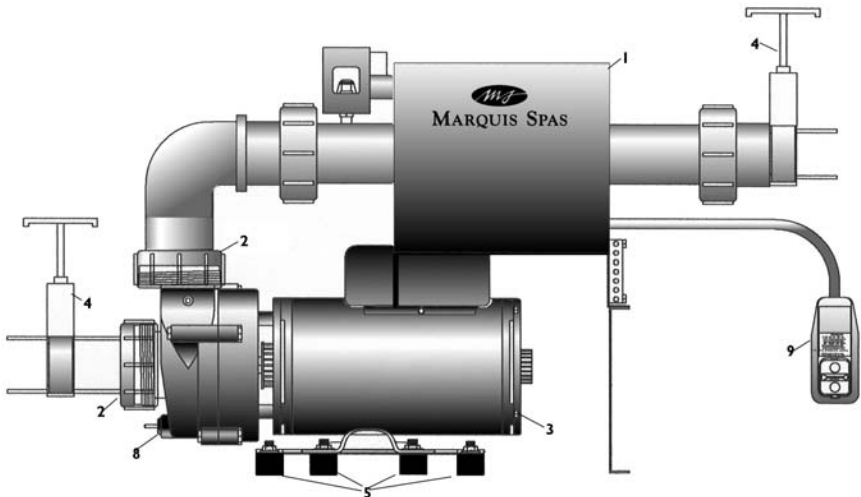
1	Iso Boost Jets	9
2	Power Boost Jets	4
4	Cyclo Boost Jet	1
5	Cyclo Swirl Jet	1
6	Light	1
7	Air Control Valve	1
8	Heat Sensor	1
10	Suction Fittings	2
11	Bather's Panel	1
12	Auxiliary Control Panel	1
14	Floor Drain	1
15	Filter Canister	1
16	Jet Selector Valve	1
22	Ozone Injector Fitting	1

Physical Specifications

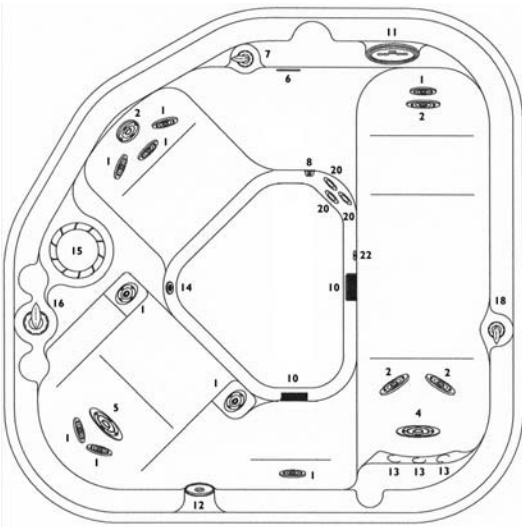
Dimensions	78" x 78"
Height	31"
Depth	30"
Seating Positions	6
Weight Dry Lbs.	475
Weight Full Lbs.	2226
Water Capacity	210 gallons
Total Therapy Jets	15

Maximum Therapy System #

1	Control Box & Heater	1
2	Pump Unions	2
3	Pump	1
4	Shut Off Valves	2
5	Motor Mounts	
8	Pump Plug	1
9	120V GFCI	1



MIRAGE LX LEISURE SERIES



Component Identification

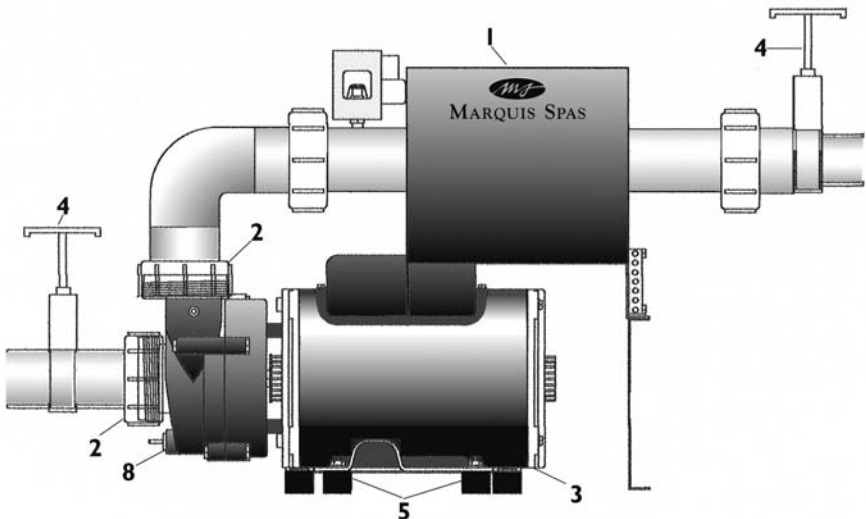
1	Iso Boost Jets	9
2	Power Boost Jets	4
4	Cyclo Boost Jet	1
5	Cyclo Swirl Jet	1
6	Light	1
7	Air Control Valve	1
8	Heat Sensor	1
10	Suction Fittings	2
11	Bather's Panel	1
12	Auxiliary Control Panel	1
13	Cascade Neck Jets	3
14	Floor Drain	1
15	Filter Canister	1
16	Jet Selector Valve	1
18	Neck Jet Control Valve	1
20	Geyser Jets	3
22	Ozone Injector Fitting	1

Physical Specifications

Dimensions	78" x 78"
Height	31"
Depth	30"
Seating Positions	6
Weight Dry Lbs.	475
Weight Full Lbs.	2226
Water Capacity	210 gallons
Total Therapy Jets	21

Maximum Therapy System

1	Control Box & Heater	1
2	Pump Unions	2
3	Pump	1
4	Shut Off Valves	2
5	Motor Mounts	
8	Pump Plug	1

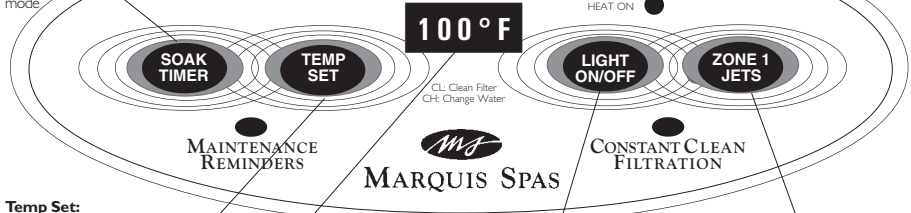




LEISURE SERIES CONTROLS

Soak Timer: 1st press turns pump to low-speed and starts 59-minute timer; 2nd press "all quiet" mode.

Heat On: Illuminates when heat is on



Temp Set: Actual temperature displayed on LCD; Press repeatedly to increase temperature; Pause; Repeat to decrease temperature

LCD Display: Shows temperature, Maintenance Reminders

Light On/Off: 1st press turns underwater light on; 2nd press turns it off

Zone 1 Jets: 1st press low-speed; 2nd press high-speed; 3rd press off

Oasis, Spirit, Mirage, Spirit LX and Mirage LX Spa Models (120V and 240V Upgrade)

UNDERWATER LIGHT

The pad marked LIGHT ON/OFF turns the light on and off. The low-voltage system produces a night light for evening use and makes entering and exiting the spa safer. After being on for one hour, the light will automatically turn off.

ZONE 1 JETS

Press the ZONE 1 JETS pad to turn the jet pump on low-speed. Press the pad again to turn the pump to high-speed. Pressing the pad again turns the pump off. After running on low-speed for 15 minutes the pump will automatically turn off. After running on high-speed for 10 minutes the pump will automatically switch to low-speed for five minutes and will then turn off.

CONSTANT CLEAN™ FILTRATION WITH SMART LOGIC

Constant Clean™ Filtration

Your spa is automatically preset to filter itself using the jet pump on low-speed for two hours twice in a 24 hour period. The first filter cycle will begin one minute after the spa is energized. The second filter cycle will begin 12 hours after the first cycle. See PROGRAM FILTER to adjust cycles.

Smart Logic

This feature ensures that the spa water will be properly filtered after each spa use. 30 minutes after the spa light or jet pump has been deactivated, the pump runs on high-speed for five minutes, then on low-speed to filter the water for four hours. See PROGRAM FILTER to adjust cycles.

Heat Demand Operation

In addition to those situations mentioned above, the pump will circulate on low-speed whenever the thermostat calls for heat.

OPTIONAL SOLID-STATE OZONATOR

If you have elected to add the optional Solid-state Ozonator to your spa, it will function whenever the pump is running on low-speed during all filter cycles. It will be disabled for one hour whenever a pump or light pad is pressed. At the conclusion of the hour, the low-speed pump and ozonator will run for four hours.

PROGRAMMABLE FILTER TIMES

F1: 45 minutes

F2: 2 hours

F4: 4 hours

F6: 6 hours

- To adjust the filter time: First press the TEMP SET pad, then press the ZONE 1 JETS.
- The LCD display will show either F1 (45 minutes), F2 (two hours), F4 (four hours), or F6 (six hours). Press the TEMP SET pad to scroll through the selections and then press the ZONE 1 JETS pad to enter.
- The display will now show either 2C (two filter cycles per day), 1d (one cycle per day that will start one minute after power up) or 1n (one cycle per day that starts 12 hours after power up). Press the TEMP SET pad to scroll through the selections and press ZONE 1 JETS pad to enter.
- The display will now show either 4H (four hour cycle), 3H (three hour cycle), 2H (two hour cycle), 1H (one hour cycle) or 0H (smart cycle off). Press the TEMP SET pad to scroll through the selections and then press the ZONE 1 JETS pad to set and exit the programming mode.

Factory default settings for the above selections: Filtration time F2 (two hours);

Filter cycles 2C (two times per day); Cleanup cycle "Smart Logic" 4H (four hours)

NOTE: In event of a power outage, all settings will revert to the preset, default settings.

TEMPERATURE DISPLAY AND ADJUSTMENT

The LCD window displays the actual water temperature. Pressing the TEMP SET pad will make the numbers flash, then pressing the pad again (repeatedly) will increase the set temperature one degree at a time, up to 104° F. After a short pause, the actual temperature will again be displayed. Repeating the above procedure will allow you to decrease the set temperature.

SOAK TIMER AND SOAK FEATURE

Pressing the SOAK TIMER pad will turn the jet pump to low-speed and start a 59-minute timer. The timer will display the elapsed time in one-minute increments (1-14). After 15 minutes, the display will flash the minute (15-59) for ten seconds before switching to a steady display as a safety reminder to not overstay your soak. During the Soak Timer mode, the temperature display can be checked by pressing the TEMP SET pad. A second press of the SOAK TIMER pad will turn off all functions (except light) for 30 minutes, if left uninterrupted, for an all-quiet soak. Pressing any pad will cancel the Soak mode.

HEAT LIGHT

The HEAT ON light will illuminate when the heater is on.

LCD DIAGNOSTIC MESSAGES

The advanced technology built into the spa allows it to perform a number of self-diagnostic system checks and it can display a variety of messages on the LCD panel. See TROUBLESHOOTING section for descriptions.

MAINTENANCE REMINDERS

Maintenance Reminders help remind you of routine maintenance procedures.

CL: Will appear every 30 days to remind you to clean the filter.*

CH: Will appear every 90 days to remind you to change the spa water.*

***NOTE:** In event of a power outage, all settings will revert to the preset, default settings.

REMOTE CONTROL

Optional Remote Control operates exactly the same as the Leisure Series Control.

ZONED THERAPY SYSTEM AUXILIARY PANELS

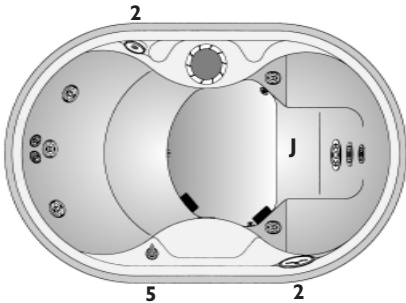
Pressing the ZONE 1 JETS pad will activate the PowerTherapy Seat (see ZONED JETTING for exact location). The ZONE 1 JETS pad will cycle the jet pump from low-speed to high-speed to off.



Pump Timeouts

Zone 1: Operating sequence is low speed, high speed, then off. If left running, the low speed will turn off after 15 minutes. If left running, the high speed runs for ten minutes then reverts to low speed for five minutes before turning off.

MJ OASIS ZONED JETTING



ZONE 1 JETS

All jets. To activate Therapy Seat (J) jets, press ZONE 1 JETS pad (2) on either panel to turn pump on low-speed. Press either ZONE 1 JETS pad (2) again to turn pump on high-speed. Adjust the jet pressure with the Air Control Valve (5). Open the Air Control Valve by turning the lever counterclockwise.

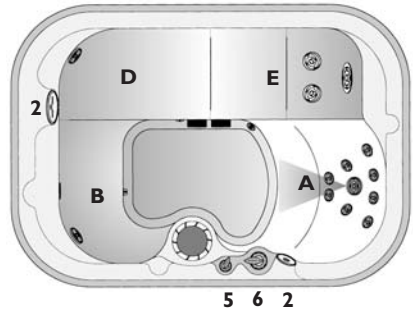
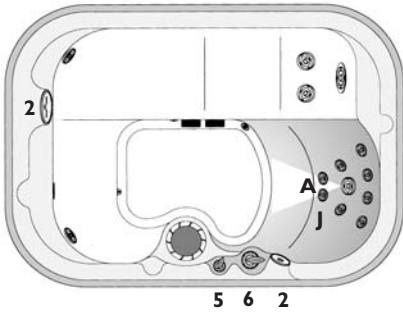
ZONED JETTING

Spas are divided into different jetting zones. The shaded area of the spa illustration indicates the jets ON in each particular zone. The white area indicates jets OFF.

For clarity, a compass is used as a directional tool.



Most jets are adjustable for flow. Many are also adjustable for direction. See OPERATING THE SPA section for explanations.



ZONE I A JETS

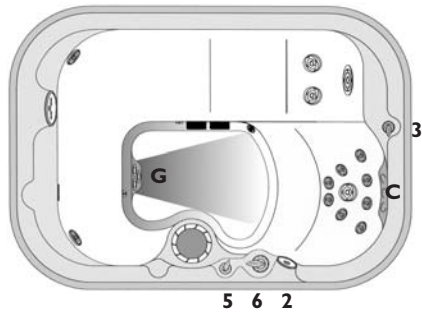
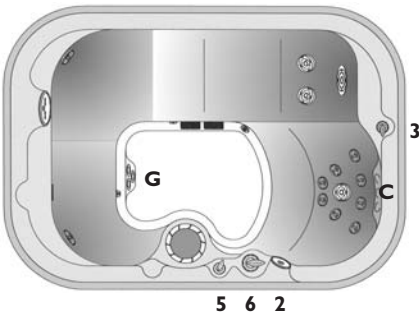


Therapy Seat jets (J) except center jet (A). To activate jets: Turn the Jet Selector Valve (6) to the east. Press ZONE I JETS pad (2) to turn pump on low-speed. Press ZONE I JETS pad (2) again to turn pump on high-speed. Adjust the jet pressure with the Air Control Valve (5). Open the Air Control Valve by turning the lever counterclockwise.

ZONE I B JETS



All jets in seats (B, D, E) plus jet (A). To activate jets: Turn the Jet Selector Valve (6) to the west. Press ZONE I JETS pad (2) to turn pump on low-speed. Press ZONE I JETS pad (2) again to turn pump on high-speed. Adjust the jet pressure with the Air Control Valve (5). Open the Air Control Valve by turning the lever counterclockwise.



ZONE I A JETS



All jets including Cascade Neck jets (C) except Geyser jets (G). To activate jets: Turn the Jet Selector Valve (6) to the east. Press ZONE I JETS pad (2) to turn pump on low-speed. Press ZONE I JETS pad (2) again to turn pump on high-speed. Adjust the jet pressure with the Air Control Valve (5) by turning the lever counterclockwise. Adjust the Cascade Neck jets with Neck jet valve (3).

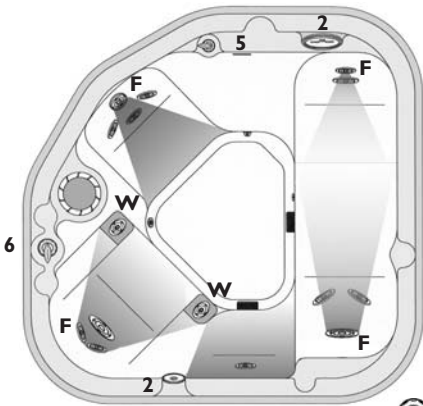
ZONE I B JETS



Geyser jets (G) plus Cascade Neck jets (C). To activate jets: Turn the Jet Selector Valve (6) to the west. Press ZONE I JETS pad (2) to turn pump on low-speed. Press ZONE I JETS pad (2) again to turn pump on high-speed. Adjust the Cascade Neck jets' pressure with the Neck Jet Control Valve (3) by turning the lever counterclockwise.

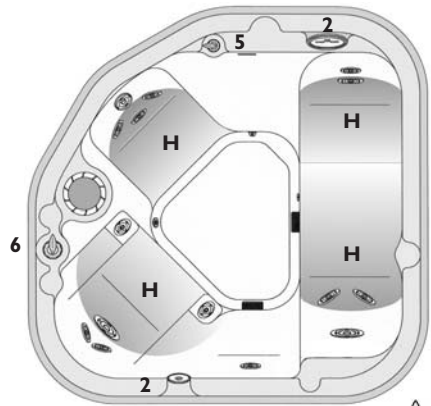
Shaded areas: Jets On. White areas: Jets Off. A compass is used as a directional tool.





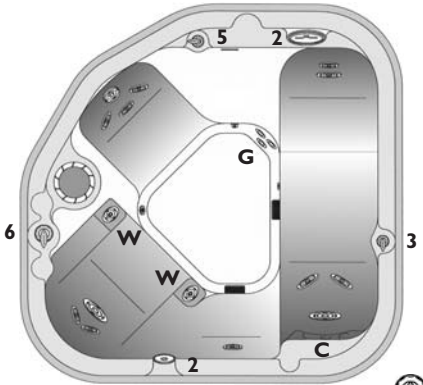
ZONE 1A JETS

All the upper level jets (F) and Wrist Jets (W). Turn the Jet Selector Valve (6) to the south. Press ZONE 1 JETS pad (2) on either panel to turn pump on low-speed. Press either ZONE 1 JETS pad (2) again to turn pump on high-speed. Adjust the jet pressure with the Air Control Valve (5). Open the Air Control Valve by turning the lever counterclockwise.



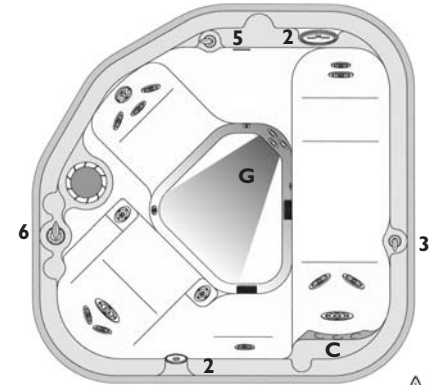
ZONE 1B JETS

All the lower level jets (H). Turn the Jet Selector Valve (6) to the north. Press ZONE 1 JETS pad (2) on either panel to turn pump on low-speed. Press either ZONE 1 JETS pad (2) again to turn pump on high-speed. Adjust the jet pressure with the Air Control Valve (5). Open the Air Control Valve by turning the lever counterclockwise.



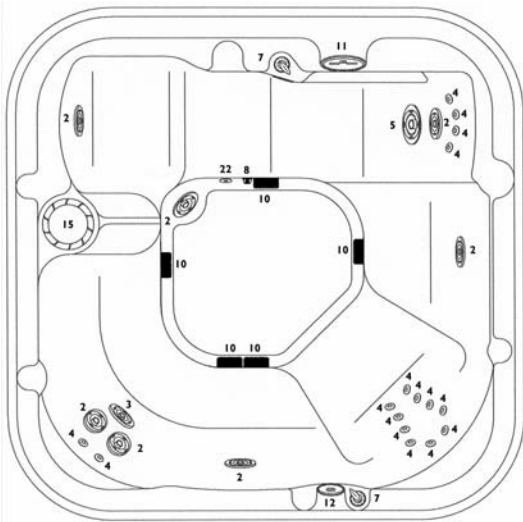
ZONE 1A JETS

All jets including Wrist Jets (W) and Cascade Neck jets (C) except Geyser jets (G). Turn the Jet Selector Valve (6) to the south. Press ZONE 1 JETS pad (2) on either panel to turn pump on low-speed. Press either ZONE 1 JETS pad (2) again to turn pump on high-speed. Adjust the Cascade Neck jets' pressure with the Neck Jet Control Valve (3) by turning the lever counterclockwise. Adjust the jet pressure with the Air Control Valve (5) by turning the lever counterclockwise.



ZONE 1B JETS

Geyser jet (G) and Cascade Neck jets (C). Turn the Jet Selector Valve (6) to the west. Press ZONE 1 JETS pad (2) on either panel to turn pump on low-speed. Press either ZONE 1 JETS pad (2) again to turn pump on high-speed. Adjust the Cascade Neck jets' pressure with the Neck Jet Control Valve (3) by turning the lever counterclockwise.



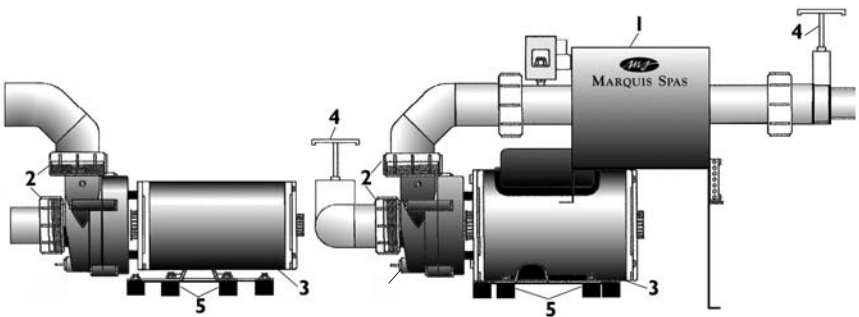
Component Identification #		
2	Power Boost Jets	7
3	Power Swirl Jet	1
4	Personal Therapy Jets	16
5	Cyclo Swirl Jet	1
6	Light	1
7	Air Control Valves	2
8	Heat Sensor	1
10	Suction Fittings	5
11	Bather's Control Panel	1
12	Auxiliary Control Panel	1
15	Filter Canister	1
22	Ozone Injector Fitting	1

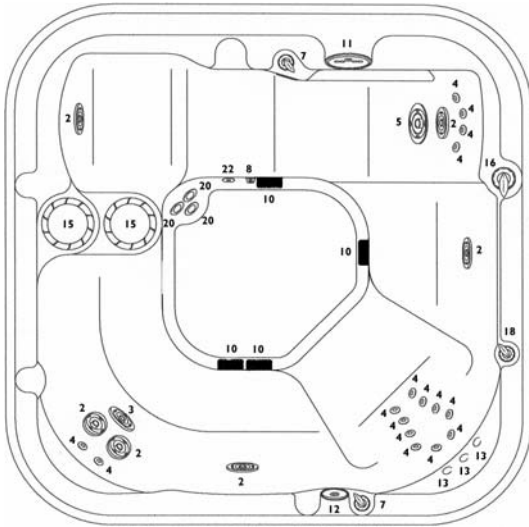
Physical Specifications

Dimensions	84" x 84"
Height	35.5"
Depth	34"
Seating Positions	6
Weight Dry Lbs.	710
Weight Full Lbs.	3378
Water Capacity	320 gallons
Total Therapy Jets	25

Maximum Therapy System #

1	Control Box & Heater	1
2	Pump Unions	4
3	Pumps	2
4	Shut Off Valves	2
5	Motor Mounts	2





Component Identification

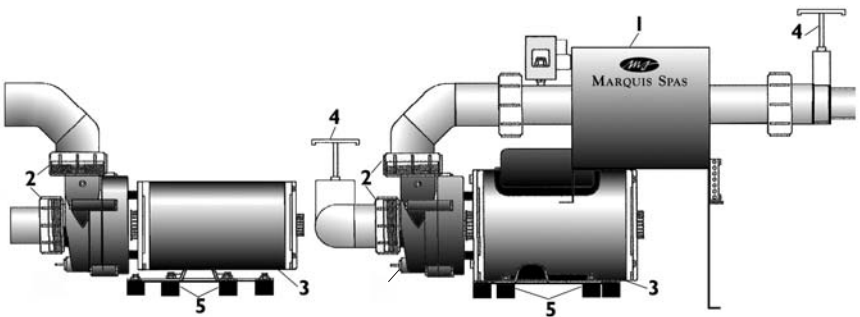
2	Power Boost Jets	6
3	Power Swirl Jet	1
4	Personal Therapy Jets	15
5	Cyclo Swirl Jet	1
6	Light	1
7	Air Control Valves	2
8	Heat Sensor	1
10	Suction Fittings	4
11	Bather's Control Panel	1
12	Auxiliary Control Panel	1
13	Cascade Neck Jets	3
15	Filter Canisters	2
16	Jet Selector Valve	1
18	Neck Jet Control Valve	1
20	Geyser Jets	3
22	Ozone Injector Fitting	1

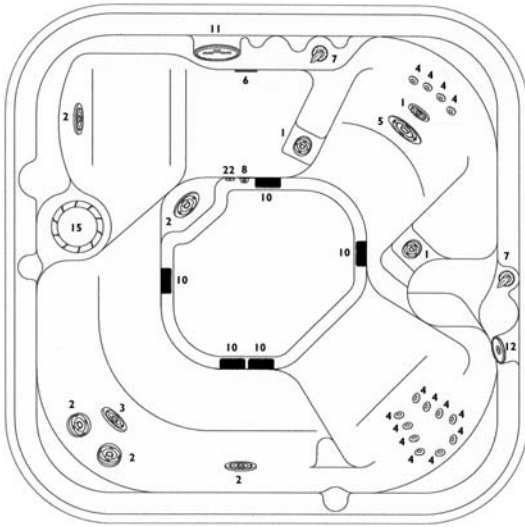
Physical Specifications

Dimensions	84" x 84"
Height	35.5"
Depth	34"
Seating Positions	6
Weight Dry Lbs.	710
Weight Full Lbs.	3378
Water Capacity	320 gallons
Total Therapy Jets	30

Maximum Therapy System

1	Control Box & Heater	1
2	Pump Unions	4
3	Pumps	2
4	Shut Off Valves	2
5	Motor Mounts	2





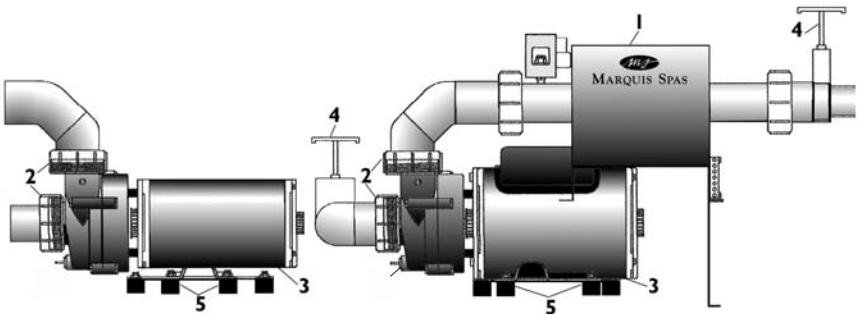
Component Identification	#
1 Iso Boost Jets	3
2 Power Boost Jets	5
3 Power Swirl Jet	1
4 Personal Therapy Jets	14
5 Cyclo Swirl Jet	1
6 Light	1
7 Air Control Valves	2
8 Heat Sensor	1
10 Suction Fittings	5
11 Bather's Control Panel	1
12 Auxiliary Control Panel	1
15 Filter Canister	1
22 Ozone Injector Fitting	1

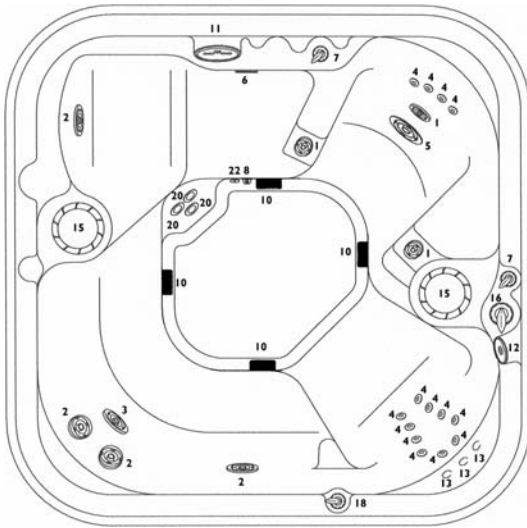
Physical Specifications

Dimensions	84" x 84"
Height	35.5"
Depth	34"
Seating Positions	6
Weight Dry Lbs.	660
Weight Full Lbs.	3162
Water Capacity	300 gallons
Total Therapy Jets	24

Maximum Therapy System #

1 Control Box & Heater	1
2 Pump Unions	4
3 Pumps	2
4 Shut Off Valves	2
5 Motor Mounts	2





Component Identification #

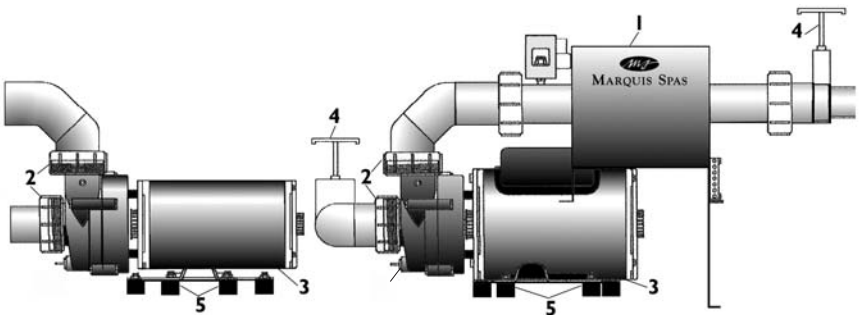
1	Iso Boost Jets	3
2	Power Boost Jets	4
3	Power Swirl Jet	1
4	Personal Therapy Jets	14
5	Cyclo Swirl Jet	1
6	Light	1
7	Air Control Valves	2
8	Heat Sensor	1
10	Suction Fittings	4
11	Bather's Control Panel	1
12	Auxiliary Control Panel	1
13	Cascade Neck Jets	3
15	Filter Canisters	2
16	Jet Selector Valve	1
18	Neck Jet Control Valve	1
20	Geyser Jets	3
22	Ozone Injector Fitting	1

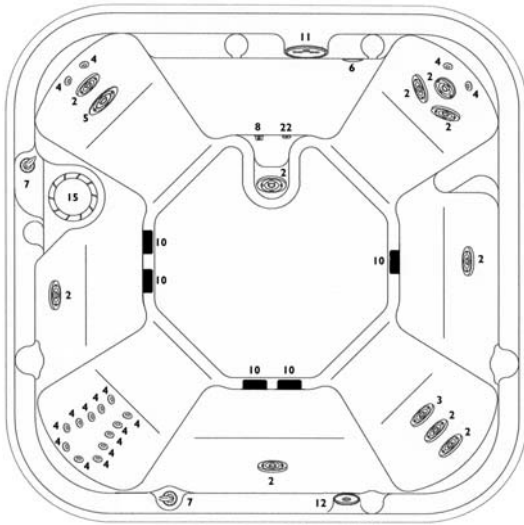
Physical Specifications

Dimensions	84" x 84"
Height	35.5"
Depth	34"
Seating Positions	6
Weight Dry Lbs.	660
Weight Full Lbs.	3162
Water Capacity	300 gallons
Total Therapy Jets	29

Maximum Therapy System #

1	Control Box & Heater	1
2	Pump Unions	4
3	Pumps	2
4	Shut Off Valves	2
5	Motor Mounts	2





Component Identification #

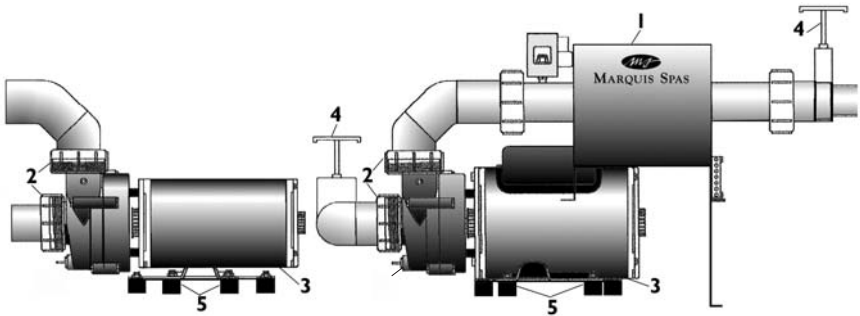
2	Power Boost Jets	10
3	Power Swirl Jet	1
4	Personal Therapy Jets	16
5	Cyclo Swirl Jet	1
6	Cyclo Swirl Jet	1
7	Light	1
7	Air Control Valves	2
8	Heat Sensor	1
10	Suction Fittings	5
11	Bather's Control Panel	1
12	Auxiliary Control Panel	1
15	Filter Canister	1
22	Ozone Injector Fitting	1

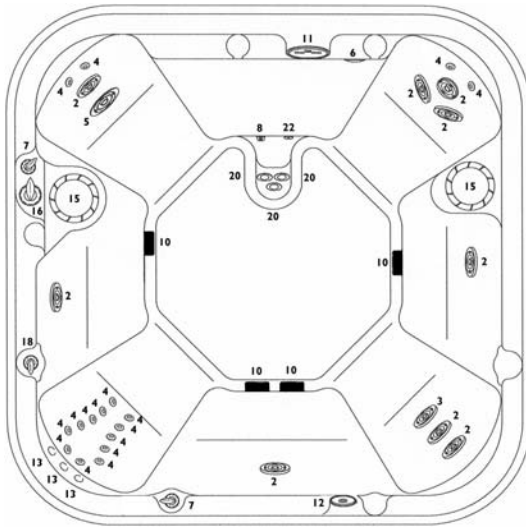
Physical Specifications

Dimensions	90" x 90"
Height	35.5"
Depth	34"
Seating Positions	8
Weight Dry Lbs.	790
Weight Full Lbs.	4334
Water Capacity	425 gallons
Total Therapy Jets	28

Maximum Therapy System #

1	Control Box & Heater	1
2	Pump Unions	4
3	Pumps	2
4	Shut Off Valves	2
5	Motor Mounts	





Component Identification

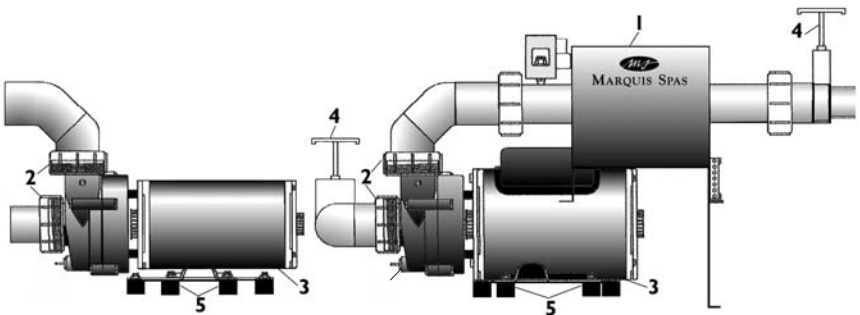
2	Power Boost Jets	9
3	Power Swirl Jet	1
4	Personal Therapy Jets	16
5	Cyclo Swirl Jet	1
6	Light	1
7	Air Control Valves	2
8	Heat Sensor	1
10	Suction Fittings	4
11	Bather's Control Panel	1
12	Auxiliary Control Panel	1
13	Cascade Neck Jets	3
15	Filter Canisters	2
16	Jet Selector Valve	1
17	Neck Jet Control Valve	1
20	Geyser Jets	3
22	Ozone Injector Fitting	1

Physical Specifications

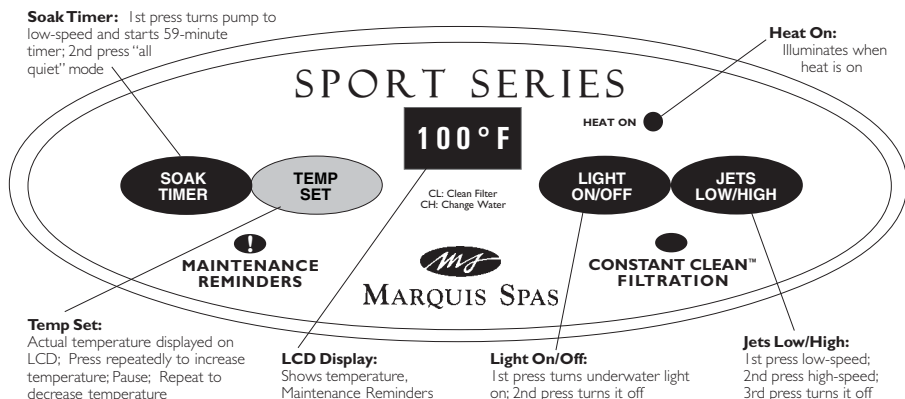
Dimensions	90" x 90"
Height	35.5"
Depth	34"
Seating Positions	8
Weight Dry Lbs.	790
Weight Full Lbs.	4334
Water Capacity	425 gallons
Total Therapy Jets	33

Maximum Therapy System

1	Control Box & Heater	1
2	Pump Unions	4
3	Pumps	2
4	Shut Off Valves	2
5	Motor Mounts	



MJ SPORT SERIES CONTROLS



500, 600, 700, 500LX, 600LX, and 700LX Spa Models

UNDERWATER LIGHT

The pad marked LIGHT ON/OFF turns the light on and off. The low-voltage system produces a night light for evening use and makes entering and exiting the spa safer. After being on for one hour, the light will automatically turn off.

JETS LOW/HIGH

Press the JETS LOW/HIGH pad to turn the primary jet pump on low-speed. Press the pad again to turn the primary and auxiliary pump to high-speed. Pressing the pad again turns the pump off.

After running on low-speed for 15 minutes the pump will automatically turn off. After running on high-speed for 10 minutes the pump will automatically switch to low-speed for five minutes and will then turn off.

CONSTANT CLEAN™ FILTRATION WITH SMART LOGIC

Constant Clean™ Filtration

Your spa is automatically preset to filter itself using the jet pump on low-speed for two hours twice in a 24 hour period. The first filter cycle will begin one minute after the spa is energized. The second filter cycle will begin 12 hours after the first cycle. See PROGRAM FILTER to adjust cycles.

Smart Logic

This feature ensures that the spa water will be properly filtered after each spa use. 30 minutes after the spa light or jet pump has been deactivated, the pump runs on high-speed for five minutes, then on low-speed to filter the water for four hours.

Heat Demand Operation

In addition to those situations mentioned above, the pump will circulate on low-speed whenever the thermostat calls for heat.

OPTIONAL SOLID-STATE OZONATOR

If you have the optional Solid-state Ozonator installed on your spa, it will function during low-speed pump operation. It will be disabled for one hour whenever a pump or light pad is pressed. At the conclusion of the hour, the low-speed pump and ozonator will run for four hours. (Order model OZU-120 from Marquis Essentials™.)

PROGRAMMABLE FILTER TIMES

F1: 45 minutes

F2: 2 hours

F4: 4 hours

F6: 6 hours

- To adjust the filter time: First press the TEMP SET pad, then press the ZONE 1 JETS.
- The LCD display will show either F1 (45 minutes), F2 (two hours), F4 (four hours), or F6 (six hours). Press the TEMP SET pad to scroll through the selections and then press the ZONE 1 JETS pad to enter.
- The display will now show either 2C (two filter cycles per day), 1d (one cycle per day that will start one minute after power up) or 1n (one cycle per day that starts 12 hours after power up). Press the TEMP SET pad to scroll through the selections and press ZONE 1 JETS pad to enter.
- The display will now show either 4H (four hour cycle), 3H (three hour cycle), 2H (two hour cycle), 1H (one hour cycle) or 0H (smart cycle off). Press the TEMP SET pad to scroll through the selections and then press the ZONE 1 JETS pad to set and exit the programming mode.

Factory default settings for the above selections: Filtration time F2 (two hours); Filter cycles 2C (two times per day); Cleanup cycle "Smart Logic" 4H (four hours)

NOTE: In event of a power outage, all settings will revert to the preset, default settings.

TEMPERATURE DISPLAY AND ADJUSTMENT

The LCD window displays the actual water temperature. Pressing the TEMP SET pad will make the numbers flash, then pressing the pad again (repeatedly) will increase the set temperature one degree at a time, up to 104° F. After a short pause, the actual temperature will again be displayed. Repeating the above procedure will allow you to decrease the set temperature.

SOAK TIMER AND SOAK FEATURE

Pressing the SOAK TIMER pad will turn the jet pump to low-speed and start a 59-minute timer. The timer will display the elapsed time in one-minute increments (1-14). After 15 minutes, the display will flash the minute (15-59) for ten seconds before switching to a steady display as a safety reminder to not overstay your soak. During the Soak Timer mode, the temperature display can be checked by pressing the TEMP SET pad. A second press of the SOAK TIMER pad will turn off all functions (except light) for an all-quiet soak. Pressing any pad will cancel the Soak mode.

HEAT LIGHT

The HEAT ON light will illuminate when the heater is on.

LCD DIAGNOSTIC MESSAGES

The advanced technology built into the spa allows it to perform a number of self-diagnostic system checks and it can display a variety of messages on the LCD panel. See TROUBLESHOOTING section for descriptions.

MAINTENANCE REMINDERS

Maintenance Reminders help remind you of routine maintenance procedures.

CL: Will appear every 30 days to remind you to clean the filter.*

CH: Will appear every 90 days to remind you to change the spa water.*

***NOTE:** In event of a power outage, all settings will revert to the preset, default settings.

REMOTE CONTROL

Optional Remote Control operates exactly the same as the Sport Spas Control.



ZONED THERAPY SYSTEM AUXILIARY PANEL

Pressing the ZONE 2 JETS pad will activate the Power Therapy Seat (see ZONED JETTING for exact location). The ZONE 2 JETS pad will cycle the jet pump from low-speed to high-speed to off. Pressing the ZONE 2 pad will activate the jets in the remainder of the spa (Zone 2).



Pump Timeouts

Operating sequence is low speed, high speed, then off. If left running, the low speed will turn off after 15 minutes. If left running, the high speed runs for ten minutes then reverts to low speed for five minutes before turning off.

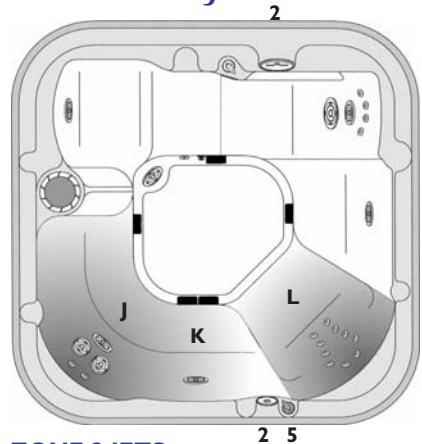
REMOTE CONTROL (SPORT SERIES)

Operates the same as the Sport Series Control Panel.



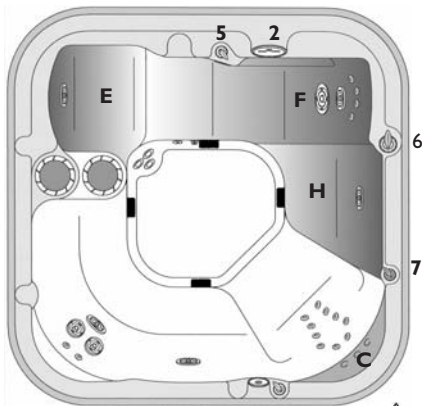
ZONE 1 JETS

All jets in seats (E, F, H) and Geyser jet (G). Press JETS LOW/HIGH pad (2) to turn pump on low-speed. Press JETS LOW/HIGH pad (2) again to turn pump on high-speed (Zone 1A). Adjust the jet pressure with the Air Control Valve (5). Open the Air Control Valve by turning the lever counterclockwise.



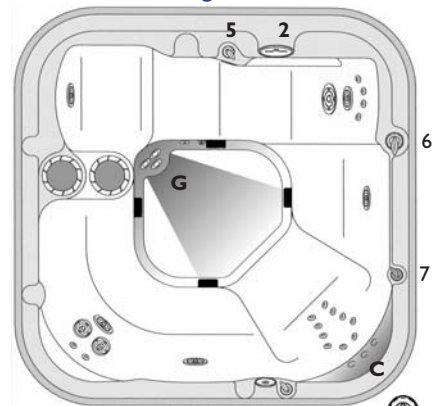
ZONE 2 JETS

All jets (J, K, L). Press JETS LOW/HIGH pad (2) to turn pumps on high-speed. Adjust the jet pressure with the Air Control Valve (5). Open the Air Control Valve by turning the lever counterclockwise.



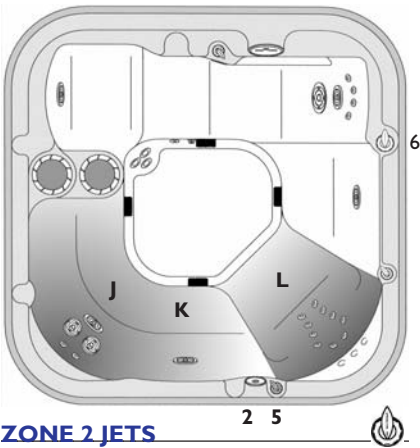
ZONE 1A JETS

All jets in seats (E, F, H) and Cascade Neck jets (C). Turn the Jet Selector Valve (6) to the north. Press JETS LOW/HIGH pad (2) to turn pump on low-speed. Press JETS LOW/HIGH pad (2) again to turn pump on high-speed. Adjust the jet pressure with the Air Control Valve (5). Open the Air Control Valve by turning the lever counterclockwise. Adjust Cascade Neck jets (C) with Neck Jet Valve (7).



ZONE 1B JETS

Geyser jet (G) and Cascade Neck jets (C). (G) Turn Jet Selector Valve (6) to the south. Press JETS LOW/HIGH pad (2) to turn pump on low-speed. Press JETS LOW/HIGH pad (2) again to turn pump on high-speed. (C) Adjust the jet pressure (F, H, J) with Air Control Valve (5). Adjust Cascade Neck jets (C) with Neck Jet Valve (7).



ZONE 2 JETS

All jets in seats (J, K, L). Press JETS LOW/HIGH pad (2) to turn pump on high-speed. Adjust the jet pressure with the Air Control Valve (5). Open the Air Control Valve by turning the lever counterclockwise.

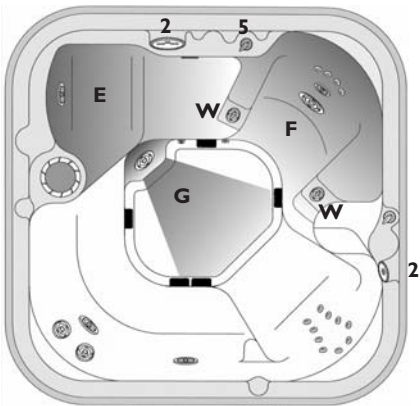
ZONED JETTING

Spas are divided into different jetting zones. The shaded area of the spa illustration indicates the jets ON in each particular zone. The white area indicates the jets OFF.



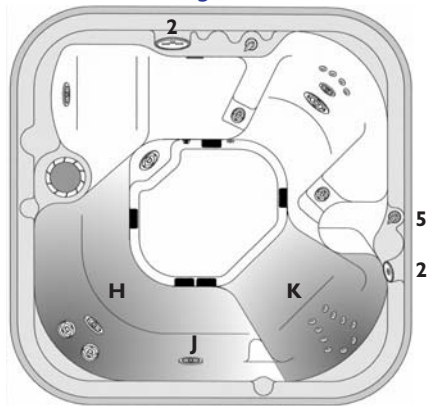
A compass is used as a directional tool.

Most jets are adjustable for flow. Many are also adjustable for direction. See OPERATING THE SPA section in the Owner's Manual for explanations.



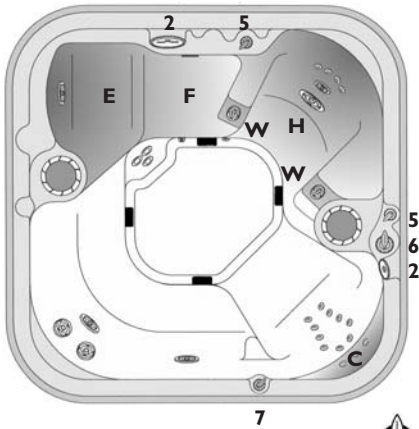
ZONE 1A JETS

All jets in seats (E, F), Wrist jets (W) and Geyser jet (G). Press JETS LOW/HIGH pad (2) to turn pump on low-speed. Press JETS LOW/HIGH again to turn pump on high-speed. Adjust the jet pressure with the Air Control Valve (5). Open the Air Control Valve by turning the lever counter-clockwise.



ZONE 1B JETS

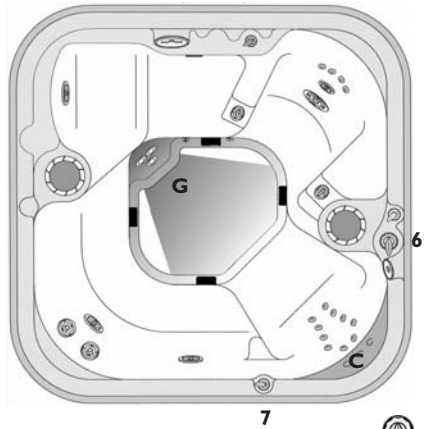
All jets in seats (H, J, K). Press JETS LOW/HIGH to turn pump on high-speed. Adjust the jet pressure with the Air Control Valve (5). Open the Air Control Valve by turning the lever counter-clockwise.



ZONE 1A JETS



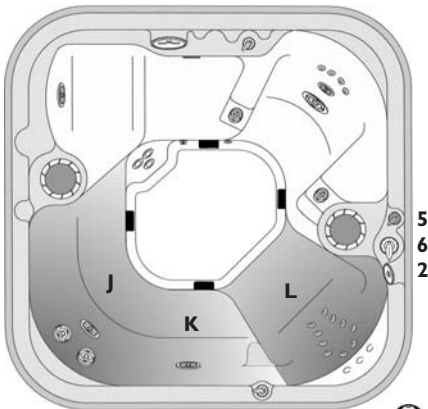
All jets in seats (E, F, H), Cascade Neck jets (C) and Wrist jets (W). Turn Jet Selector Valve to the north. Press JETS LOW/HIGH pad (2) to turn pump on low-speed. Press JETS LOW/HIGH pad (2) again to turn pump on high-speed. Adjust the jet pressure with the Air Control Valve (5). Open the Air Control Valve by turning the lever counterclockwise. Adjust Cascade Neck jets with Neck Jet Valve (7).



ZONE 1B JETS



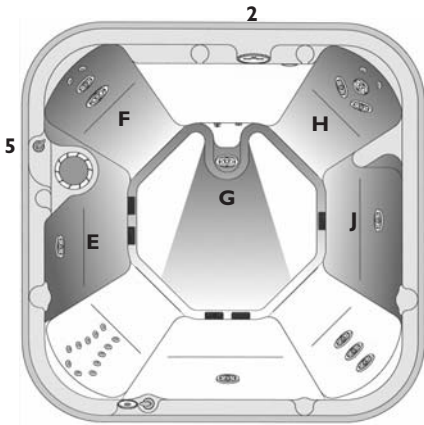
Geyser jet (G) and Cascade Neck jets (C). Turn Jet Selector Valve to the south. Press JETS LOW/HIGH pad (2) to turn pump on low-speed (Zone 1A). Press JETS LOW/HIGH pad (2) again to turn pump on high-speed. Adjust Cascade Neck jets with Neck Jet Valve (7).



ZONE 2 JETS

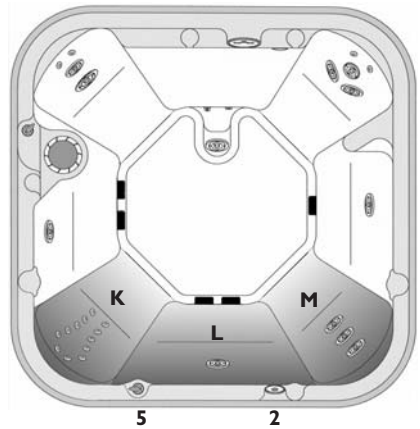


All jets in seats (J, K, L). Press JETS LOW/HIGH pad (2) to turn pump on high-speed. Adjust the jet pressure with the Air Control Valve (5). Open the Air Control Valve by turning the lever counterclockwise.



ZONE 1A JETS

All jets in seats (E, F, H, J) and Geyser jet (G). Press JETS LOW/HIGH pad (2) to turn pump on low-speed. Press JETS LOW/HIGH pad (2) again to turn pump on high-speed. Adjust the jet pressure with the Air Control Valve (5). Open the Air Control Valve by turning the lever counterclockwise.

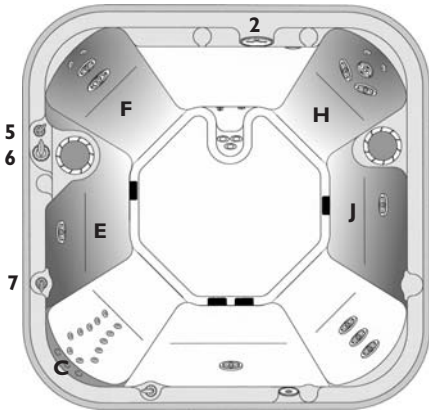


ZONE 2 JETS

All jets in seats (K, L, M). Press JPress JETS LOW/HIGH pad (2) to turn pump on high-speed. Adjust the jet pressure with the Air Control Valve by turning the lever counterclockwise.

Shaded areas: Jets On. White areas: Jets Off. A compass is used as a directional tool.





ZONE 1A JETS



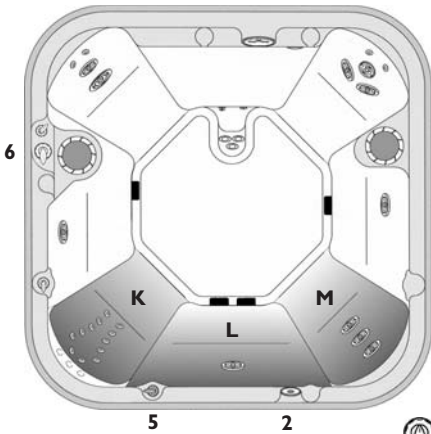
All jets in seats (E, F, H, J) and Cascade Neck jets (C). Turn Jet Selector Valve (6) to the north. Press JETS LOW/HIGH pad (2) to turn pump on low-speed. Press JETS LOW/HIGH pad (2) again to turn pump on high-speed. Adjust the jet pressure with the Air Control Valve (5). Open the Air Control Valve by turning the lever counterclockwise. Adjust Cascade Neck jets with Neck Jet Valve (7).



ZONE 1B JETS



Geyser jet (G) and Cascade Neck jets (C). Turn Jet Selector Valve (6) to the south. Press JETS LOW/HIGH pad (2) to turn pump on low-speed. Press JETS LOW/HIGH pad (2) again to turn pump on high-speed. Adjust Cascade Neck jets with Neck Jet Valve (7).



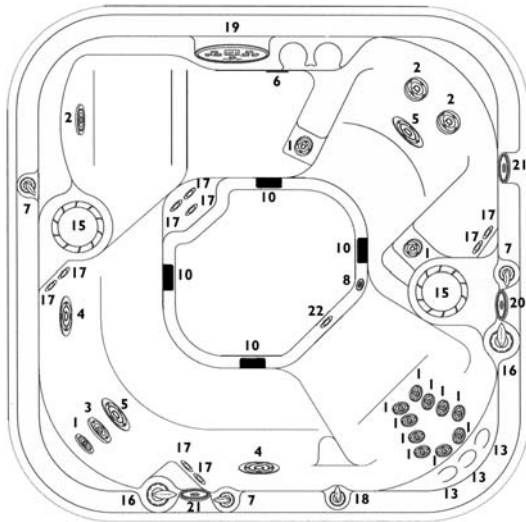
ZONE 2 JETS



All jets in seats (K, L, M). Press JETS LOW/HIGH pad (2) to turn pump on high-speed. Adjust the jet pressure with the Air Control Valve (5). Open the Air Control Valve by turning the lever counterclockwise.

Shaded areas: Jets On. White areas: Jets Off. A compass is used as a directional tool.





Component Identification

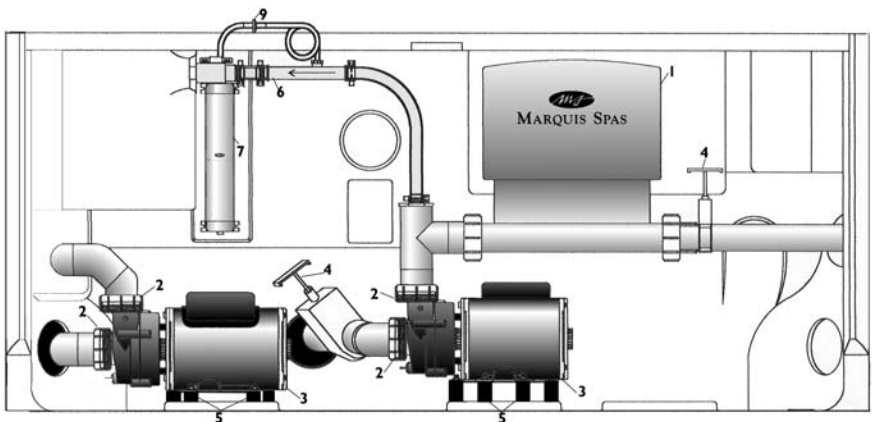
1	Iso Boost Jets	13
2	Power Boost Jets	3
3	Power Swirl Jet	1
4	Cyclo Boost Jets	2
5	Cyclo Swirl Jets	2
6	Light	1
7	Air Control Valves	3
10	Suction Fittings	4
13	Cascade Neck Jets	3
14	Floor Drain	1
15	Filter Canisters	2
16	Jet Selector Valves	2
17	Whirlpool/Geyser Jets	9
18	Cascade Neck Jet Valve	1
19	Bather's Control Panel	1
20	Auxiliary Zone 1 Panel	1
21	Auxiliary Zone 2 Panels	2
22	Ozone Injector Fitting	1

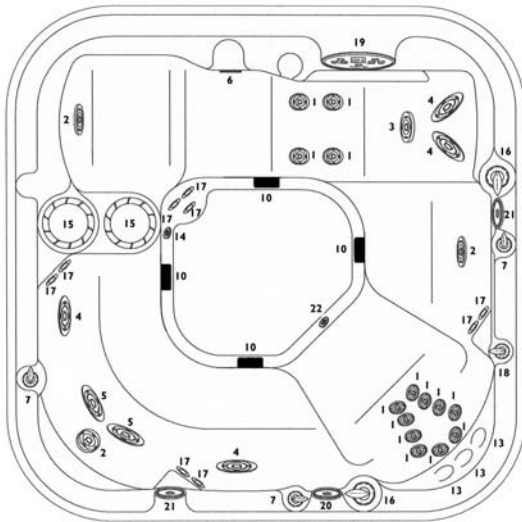
Physical Specifications

Dimensions	84" x 84"
Height	35.5"
Depth	34"
Seating Positions	6
Weight Dry Lbs.	690
Weight Full Lbs.	3192
Water Capacity	300 gallons
Total Therapy Jets	33

Maximum Therapy System

1	Control Box & Heater	1
2	Pump Unions	4
3	Pumps	2
4	Shut Off Valves	2
5	Motor Mounts	
6	Mazzei Injector	1
7	Q ₃ Ozonator	1
9	Check Valve	1





Component Identification

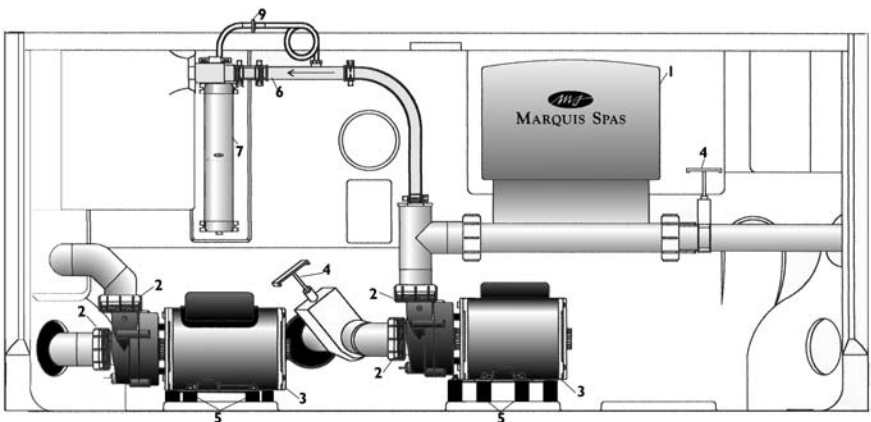
1	Iso Boost Jets	14
2	Power Boost Jets	3
3	Power Swirl Jet	1
4	Cyclo Boost Jets	4
5	Cyclo Swirl Jets	2
6	Light	1
7	Air Control Valves	3
10	Suction Fittings	4
13	Cascade Neck Jets	3
14	Floor Drain	1
15	Filter Canisters	2
16	Jet Selector Valves	2
17	Whirlpool/Geysir Jets	9
18	Neck Jet Selector Valve	1
19	Bather's Control Panel	1
20	Auxiliary Zone 1 Panel	1
21	Auxiliary Zone 2 Panels	2
22	Ozone Injector Fitting	1

Physical Specifications

Dimensions	84" x 84"
Height	35.5"
Depth	34"
Seating Positions	7
Weight Dry Lbs.	720
Weight Full Lbs.	3388
Water Capacity	320 gallons
Total Therapy Jets	36

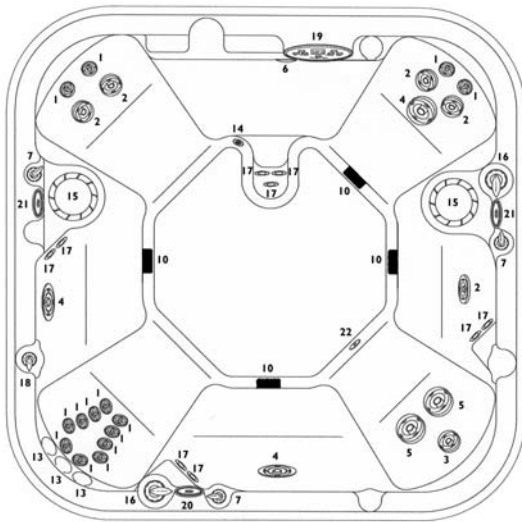
Maximum Therapy System

1	Control Box & Heater	1
2	Pump Unions	4
3	Pumps	2
4	Shut Off Valves	2
5	Motor Mounts	
6	Mazzei Injector	1
7	Q ₃ Ozonator	1
9	Check Valve	1





EUPHORIA COASTAL SERIES



Component Identification

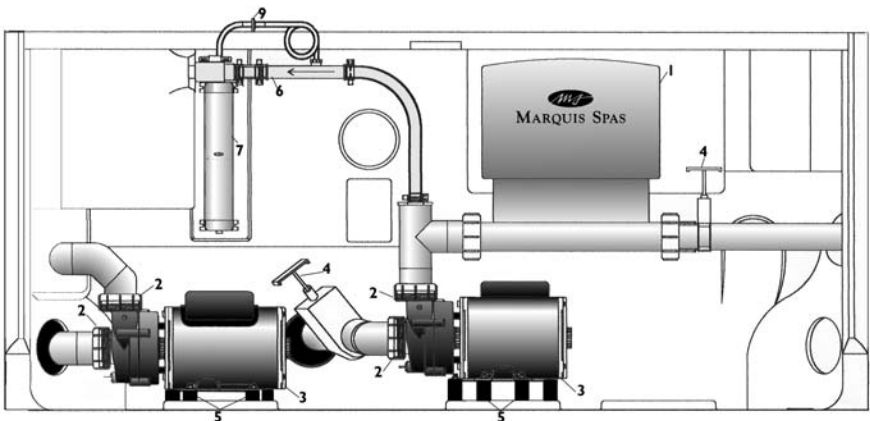
1	Iso Boost Jets	14
2	Power Boost Jets	5
3	Power Swirl Jet	1
4	Cyclo Boost Jets	3
5	Cyclo Swirl Jets	2
6	Light	1
7	Air Control Valves	3
10	Suction Fittings	4
13	Cascade Neck Jets	3
14	Floor Drain	1
15	Filter Canisters	2
16	Jet Selector Valves	2
17	Whirlpool/Geyser Jets	9
18	Neck Jet Selector Valve	1
19	Bather's Control Panel	1
20	Auxiliary Zone 1 Panel	1
21	Auxiliary Zone 2 Panels	2
22	Ozone Injector Fitting	1

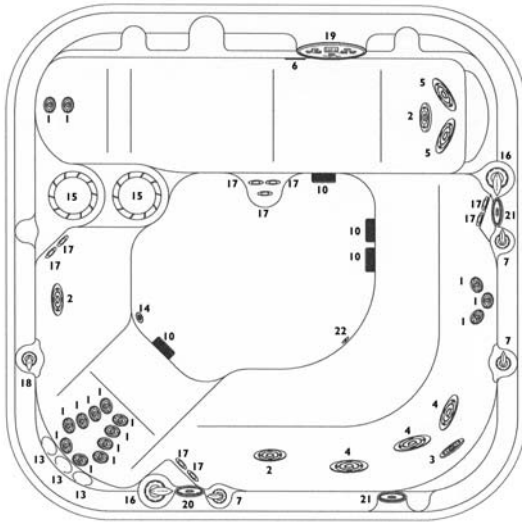
Physical Specifications

Dimensions	90" x 90"
Height	35.5"
Depth	34"
Seating Positions	8
Weight Dry Lbs.	800
Weight Full Lbs.	4302
Water Capacity	420 gallons
Total Therapy Jets	37

Maximum Therapy System

1	Control Box & Heater	1
2	Pump Unions	4
3	Pumps	2
4	Shut Off Valves	2
5	Motor Mounts	2
6	Mazzei Injector	1
7	Q ₃ Ozonator	1
9	Check Valve	1





Component Identification #

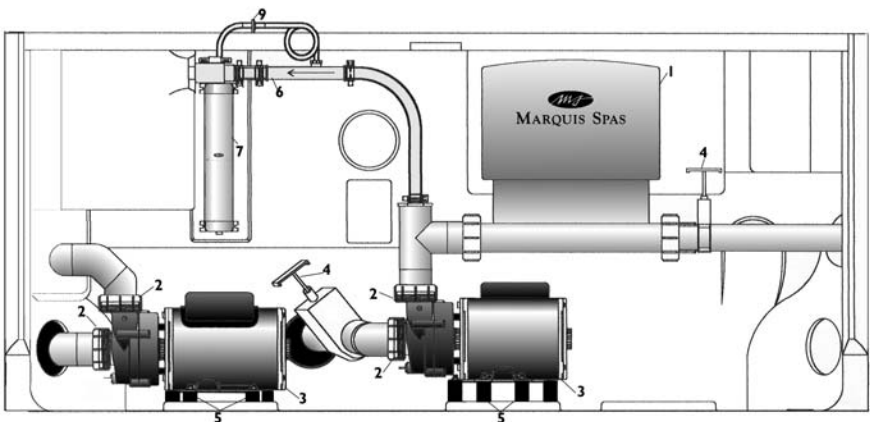
1	Iso Boost Jets	15
2	Power Boost Jets	3
3	Power Swirl Jet	1
4	Cyclo Boost Jets	3
5	Cyclo Swirl Jets	2
6	Light	1
7	Air Control Valves	3
10	Suction Fittings	4
13	Cascade Neck Jets	3
14	Floor Drain	1
15	Filter Canisters	2
16	Jet Selector Valves	2
17	Whirlpool/Geyser Jets	9
18	Neck Jet Selector Valve	1
19	Bather's Control Panel	1
20	Auxiliary Zone 1 Panel	1
21	Auxiliary Zone 2 Panels	2
22	Ozone Injector Fitting	1

Physical Specifications

Dimensions	90" x 90"
Height	35.5"
Depth	34"
Seating Positions	8
Weight Dry Lbs.	810
Weight Full Lbs.	4312
Water Capacity	425 gallons
Total Therapy Jets	36

Maximum Therapy System #

1	Control Box & Heater	1
2	Pump Unions	4
3	Pumps	2
4	Shut Off Valves	2
5	Motor Mounts	2
6	Mazzei Injector	1
7	Q ₃ Ozonator	1
9	Check Valve	1

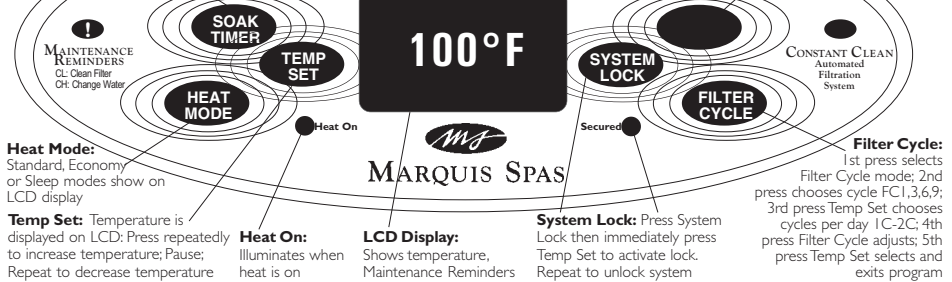




COASTAL SERIES CONTROLS

Soak Timer: 1st press turns pump to low-speed and starts 59-minute timer; 2nd press "all quiet" mode.

Light On/Off: 1st press turns underwater and Entryway lights on; 2nd press turns lights off



Heat Mode: Standard, Economy or Sleep modes show on LCD display

Temp Set: Temperature is displayed on LCD. Press repeatedly to increase temperature; Pause; Repeat to decrease temperature

Heat On: Illuminates when heat is on

LCD Display: Shows temperature, Maintenance Reminders

System Lock: Press System Lock then immediately press Temp Set to activate lock. Repeat to unlock system

Filter Cycle: 1st press selects Filter Cycle mode; 2nd press chooses cycle FC1,3,6,9; 3rd press Temp Set chooses cycles per day 1C-2C; 4th press Filter Cycle adjusts; 5th press Temp Set selects and exits program

PUMP PRIMING (Pr)

Pump priming feature begins at start-up. When spa is energized, the LCD panel will display a "Pr" message. This mode will last approximately four to five minutes if not exited manually. See THERAPY PUMP(S) section.

UNDERWATER AND ENTRYWAY LIGHTS

The pad marked LIGHT ON/OFF turns the underwater and Entryway lights on and off. The low-voltage system produces a night light for evening use and makes entering and exiting the spa safer. After being on for one hour, the lights will automatically turn off.

SOAK TIMER AND SOAK FEATURE

Pressing the SOAK TIMER pad will turn the jet pump to low-speed and start a 59-minute timer. The timer will display the elapsed time in one-minute increments (1-14). After 15 minutes, the display will flash the minute (15-59) for ten seconds before switching to a steady display as a safety reminder to not overstay your soak. During the Soak Timer mode, the temperature display can be checked by pressing the TEMP SET pad. A second press of the SOAK TIMER pad will turn off all functions (except light) for 30 minutes, if left uninterrupted, for an all-quiet soak. Pressing any pad will cancel the Soak mode.

PROGRAMMABLE FILTER TIMES

- To adjust the filter time: First press the FILTER CYCLE pad for display mode, then press the FILTER CYCLE pad to scroll through filtration time options and adjust for desired filtration time FC1 (90 minutes), FC3 (three hours), FC6 (six hours) or FC9 (nine hours) and enter the selection using the TEMP SET pad.
- Display now shows either 2C (two filter cycles per day), 1Cd (one cycle per day that will start one minute after power up) or 1Cn (one cycle per day that will start 12 hours after power up). Press FILTER CYCLE pad to scroll through these selections and press TEMP SET pad to enter.
- The display will now show either SL4 (four hour cycle), SL3 (three hour cycle), SL2 (two hours cycle), SL1 (one hour cycle) or SL0 (Smart cycle off). Press the FILTER CYCLE pad to scroll through the selections and then press the TEMP SET pad to set and exit the programming mode.

Factory default settings for the above selections: Filtration time F3 (three hours); Filter cycles 2C (two times per day); Cleanup cycle "Smart Logic" 4H (four hours).

The filter cycle will begin six minutes after the spa is energized. If you select two cycles per 24 hours, the second cycle will begin 12 hours after the first cycle. Also, at the start of the first filter cycle, auxiliary pump will run on low-speed for five minutes. The primary pump will run on high-speed for five minutes, then low-speed for the cycle's duration.

CONSTANT CLEAN™ FILTRATION WITH SMART LOGIC

Constant Clean™ Filtration

Your spa is automatically preset to filter itself using the jet pump on low-speed for three hours twice in a 24 hour period. The first filter cycle will begin six minutes after the spa is energized. The second filter cycle will begin 12 hours after the first cycle. See PROGRAM FILTER to adjust cycles.

Smart Logic

This feature ensures that the spa water will be properly filtered after each spa use. 30 minutes after the spa light or jet pump has been deactivated, the pump runs on high-speed for five minutes, then on low-speed to filter the water for four hours. See PROGRAM FILTER to adjust cycles.

Heat Demand Operation

In addition to those situations mentioned above, the pump will circulate on low-speed whenever the thermostat calls for heat.

SOLID-STATE Q₃ OZONATOR

The Q₃ Ozonator will function whenever the primary pump is running on low-speed.

HEAT MODE

The spa's heat mode can be adjusted to one of three different settings.

- **Standard Mode:** The spa water will heat to the temperature as set at the Bather's panel. In this mode the filtration pump will turn on for one minute every half-hour and "poll" or check the water. If heat is needed the unit will heat to the set temperature. LCD display will steadily read actual temperature in this mode.
- **Economy Mode:** In this mode the spa will only heat to the set temperature during a programmed filter cycle. LCD display will alternately flash "Ecn" with actual temperature when spa is up to set temperature. LCD will steadily display "Ecn" when spa is below set temperature.
- **Sleep Mode:** The spa will only heat to 20° F below the set temperature. Heater will only function during a programmed filter cycle. LCD display will alternately flash "SLP" with the actual temperature when spa is up to set temperature. LCD will steadily display "SLP" when spa is below set temperature.

For most applications, the Standard Mode should be used. If you are in a warm weather climate and the spa does not require as much heat, the Economy Mode may work best. For a vacation home or for very infrequent use, the Sleep Mode will provide filtration and circulation with lower energy demand.

Your spa comes preset in the Standard Mode. To change this selection, press the HEAT MODE pad and continue to press it until the desired setting is reached (Std, Ecn, or SLP). When you have reached the desired setting, press the TEMP SET pad to select that mode and exit programming. (TEMP SET pad must be pressed within ten seconds for the selection to take effect.)

SYSTEM LOCK

After selecting filtration and heat modes, press SYSTEM LOCK pad, then immediately press TEMP SET pad to preserve the operational settings and ensure against inadvertent changes. Unlock the panel by repeating the procedure. Lock is indicated by LED light "SECURED". Jets and light will continue to function in System Lock.

TEMPERATURE DISPLAY AND ADJUSTMENT

The LCD window displays the actual water temperature. Pressing the TEMP SET pad will make the numbers flash, then pressing the pad again (repeatedly) will increase the set temperature one degree at a time, up to 104° F. After a short pause, the actual temperature will again be displayed. Repeating the above procedure will allow you to decrease the set temperature.

HEAT LIGHT

The HEAT ON light will illuminate when the heater is on.

LCD DISPLAY MESSAGES

The advanced technology built into the spa allows it to perform a number of self-diagnostic system checks and can display a variety of messages on the LCD panel. See TROUBLESHOOTING section for descriptions.

MAINTENANCE REMINDERS

Maintenance Reminders help remind you of routine maintenance procedures.

CL: This will appear every 30 days as a reminder to clean the filter.*

CH: This will appear every 90 days as a reminder to drain and refill the spa.*

***NOTE:** If power is shut off or a power outage occurs the system has a battery backup. Maintenance Reminders will be stored in memory for 30 days. If power does not resume after that time, memory will reset to factory default settings and history lost.

ZONED THERAPY SYSTEM AUXILIARY PANELS

Pressing the ZONE 1 JETS pad will activate the Power Therapy Seat (see ZONED JETTING for exact location). The ZONE 1 JETS pad will cycle the jet pump from low-speed to high-speed to off. Pressing either of the ZONE 2 pads will activate the jets in the remainder of the spa (Zone 2).

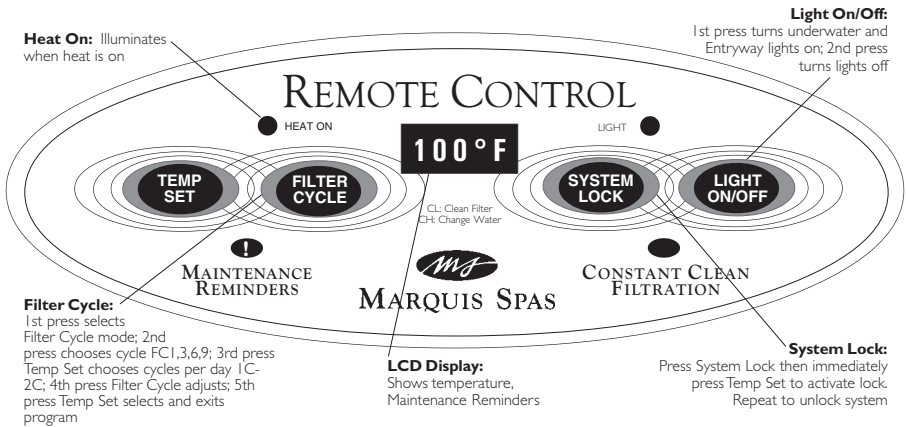
Pump Timeouts

Zone 1: Operating sequence is low speed and ozone generator, high speed, then off. If left running, the low speed and the ozone generator turn off after 15 minutes. If left running, the high speed runs for ten minutes then reverts to low speed for five minutes before turning off.

Zone 2: Operating sequence is low speed, high speed, then off. If left running, the low speed will turn off after 15 minutes. If left running, the high speed runs for ten minutes then reverts to low speed for five minutes before turning off.



COASTAL SERIES CONTROLS



REMOTE CONTROL (COASTAL AND ULTIMATE SERIES) OPTIONAL

LIGHT ON/OFF

The pad marked LIGHT ON/OFF turns the underwater and Entryway lights on and off. (See COASTAL SERIES UNDERWATER AND ENTRYWAY LIGHTS.)

FILTER CYCLE

The pad marked PROGRAMMABLE FILTER TIMES sets the desired filter cycles. (See COASTAL SERIES PROGRAMMABLE FILTER TIMES.)

SYSTEM LOCK

The pad marked SYSTEM LOCK preserves the operational settings. (See COASTAL SERIES SYSTEM LOCK.)

TEMP SET

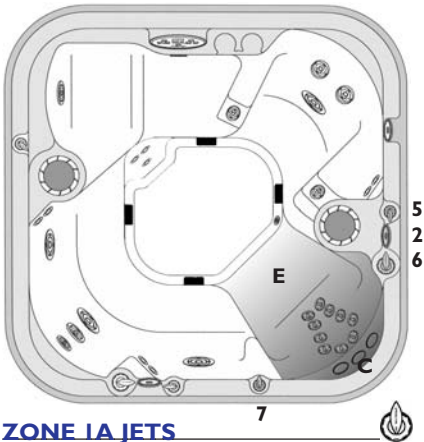
The pad marked TEMP SET increases and decreases temperature setting. (See COASTAL SERIES TEMPERATURE DISPLAY AND ADJUSTMENT.)

LCD DISPLAY

(See COASTAL SERIES LCD DISPLAY MESSAGES.)

MAINTENANCE REMINDERS

(See COASTAL SERIES MAINTENANCE REMINDERS.)



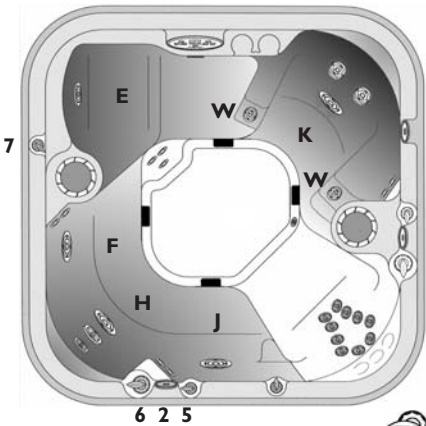
ZONE 1A JETS

Therapy Seat (E) and Cascade Neck Jets (C). Turn the Jet Selector Valve (6) to the north. Press ZONE 1 JETS pad (2) on either panel to turn pump on low-speed. Press ZONE 1 JETS pad (2) again to turn pump on high-speed. Adjust the jet pressure with Air Control Valve (5). Open the Air Control Valve (5) by turning the lever counterclockwise. Cascade Neck Jets (C) are independent of other jets. Control pressure by turning Neck Jet Valve (7).



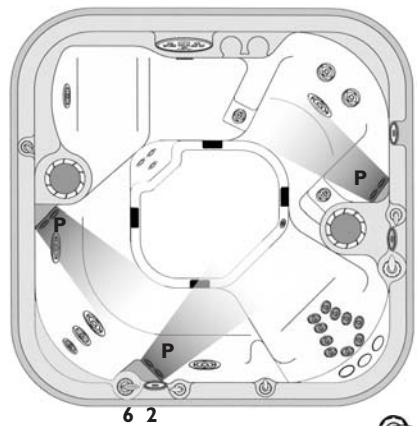
ZONE 1B JETS

Geyser jet (G) and Cascade Neck Jets (C). Turn the Jet Selector Valve (6) to the south and press ZONE 1 JETS pad (2) to turn pump on low-speed. Press ZONE 1 JETS pad (2) again to turn pump on high-speed. Cascade Neck Jets (C) are independent of other jets. Control pressure by turning Neck Jet Valve (7).



ZONE 2A JETS

All jets (E, F, H, J, K) and Wrist jets (W). Turn the Jet Selector Valve (6) to the west and press ZONE 2 JETS pad (2) to turn pump on low-speed. Press ZONE 2 JETS pad (2) again to turn pump on high-speed. Adjust jet pressure in (E, F, H, J) with the Air Control Valve (5). Adjust jet pressure in (K, W) with Air Control Valve (7).



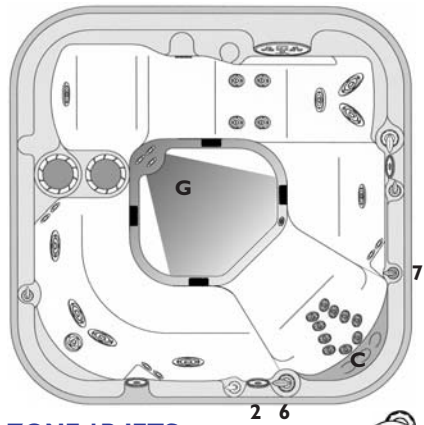
ZONE 2B JETS

Six Whirlpool jets (P). Turn the Jet Selector Valve (6) to the east and press ZONE 2 JETS pad (2) to turn pump on low-speed. Press ZONE 2 JETS pad (2) again to turn pump on high-speed.



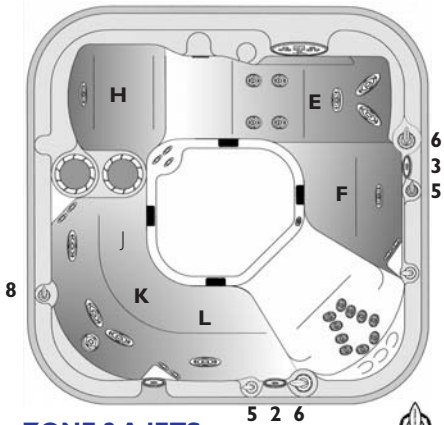
ZONE 1A JETS

Therapy Seat jets (E) and Cascade Neck Jets (C). Turn the Jet Selector Valve (6) to the east and press ZONE 1 JETS pad (2) to turn pump on low-speed. Press ZONE 1 JETS pad (2) again to turn pump on high-speed. Adjust the jet pressure with Air Control Valve (5). Open the Air Control Valve (5) by turning the lever counterclockwise. Cascade Neck Jets (C) are independent of other jets. Control pressure by turning Neck Jet Valve (7).



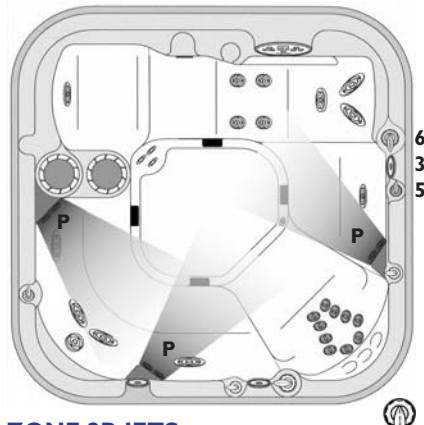
ZONE 1B JETS

Three Geyser Jets (G) and Cascade Neck Jets (C). Turn the Jet Selector Valve (6) to the west. Press ZONE 1 JETS pad (2) to turn pump on low-speed. Press ZONE 1 JETS pad (2) again to turn pump on high-speed. Cascade Neck Jets (C) are independent of other jets. Control pressure by turning Neck Jet Valve (7).



ZONE 2A JETS

All jets (E, F, H, J, K, L). Turn the Jet Selector Valve (6) to the north and press ZONE 2 JETS pad (3) to turn pump on low-speed. Press ZONE 2 JETS pad (3) again to turn pump on high-speed. Adjust the jet pressure (E, F) with Air Control Valve (5). Adjust the jet pressure (H, J, K, L) with Air Control Valve (8). Open the Air Control Valves (5, 7) by turning the lever counterclockwise.



ZONE 2B JETS

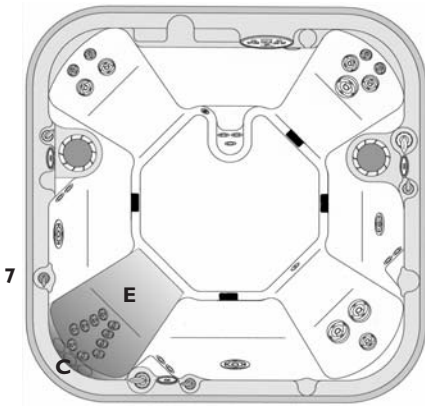
Six Whirlpool Jets (P). Turn the Jet Selector Valve (6) to the south and press ZONE 2 JETS pad (3) to turn pump on low-speed. Press ZONE 2 JETS pad (3) again to turn pump on high-speed.

Shaded area: Jets On. White area: Jets Off.
A compass is used as a directional tool.





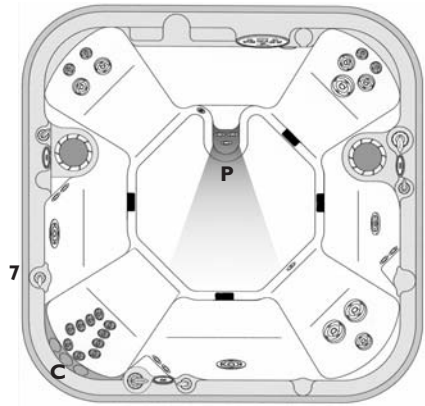
EUPHORIA ZONED JETTING



ZONE 1 A JETS



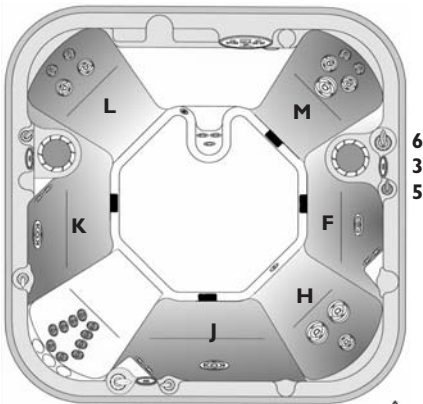
All jets (E) and Cascade Neck Jets (C). Turn the Jet Selector Valve (6) to the west and press ZONE 1 JETS pad (2) to turn pump on low-speed. Press ZONE 1 JETS pad (2) again to turn pump on high-speed. Adjust the jet pressure with Air Control Valve (5). Open the Air Control Valve (5) by turning the lever counterclockwise.



ZONE 1 B JETS



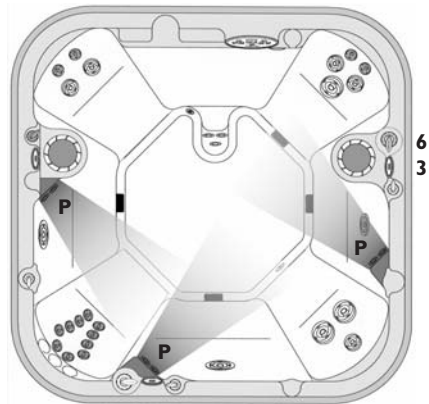
Three Whirlpool Jets (P). Turn the Jet Selector Valve (6) to the east and press ZONE 1 JETS pad (2) to turn pump on low-speed. Press ZONE 1 JETS pad (2) again to turn pump on high-speed. Cascade Neck Jets (C) are independent of other jets. Control pressure by turning Neck Jet Valve (7).



ZONE 2A JETS



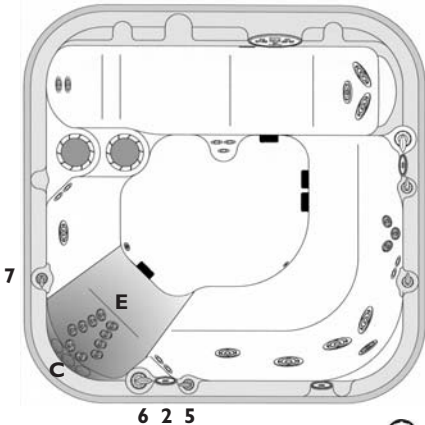
All jets (F, H, J, K, L, M). Turn the Jet Selector Valve (6) to the north and press ZONE 2 JETS pad (3) to turn pump on low-speed. Press ZONE 2 JETS pad (3) again to turn pump on high-speed. Adjust the jet pressure with Air Control Valve (5). Open the Air Control Valve (5) by turning the lever counterclockwise.



ZONE 2B JETS



Six Whirlpool jets (P). Turn the Jet Selector Valve (6) to the south. Press ZONE 2 JETS pad (3) to turn pump on low-speed. Press ZONE 2 JETS pad (3) again to turn pump on high-speed.



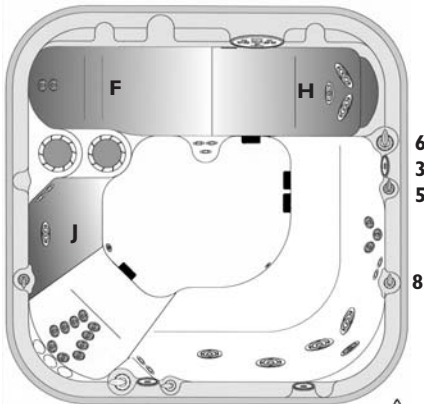
ZONE 1A JETS

Therapy Seat jets (E) and Cascade Neck Jets (C). Turn the Jet Selector Valve (6) to the east and press ZONE 1 JETS pad (2) to turn pump on low-speed. Press ZONE 1 JETS pad (2) again to turn pump on high-speed. Adjust the jet pressure with Air Control Valve (5). Open the Air Control Valve (5) by turning the lever counter-clockwise. Cascade Neck Jets (C) are independent of other jets. Control pressure by turning Neck Jet Valve (7).



ZONE 1B JETS

Three Geyser Jets (P) and Cascade Neck Jets (C). Turn the Jet Selector Valve (6) to the west. Press ZONE 1 JETS pad (2) to turn pump on low-speed. Press ZONE 1 JETS pad (2) again to turn pump on high-speed. Cascade Neck Jets (C) are independent of other jets. Control pressure by turning Neck Jet Valve (7).



ZONE 2A JETS

All jets (F, H, J, K). Turn the Jet Selector Valve (6) to the north and press ZONE 2 JETS pad (3) to turn pump on low-speed. Press ZONE 2 JETS pad (3) again to turn pump on high-speed. Adjust the jet pressure (F, H, J) with Air Control Valve (5). Adjust the jet pressure (K) with Air Control Valve (8). Open the Air Control Valve (5) by turning the lever counter-clockwise.



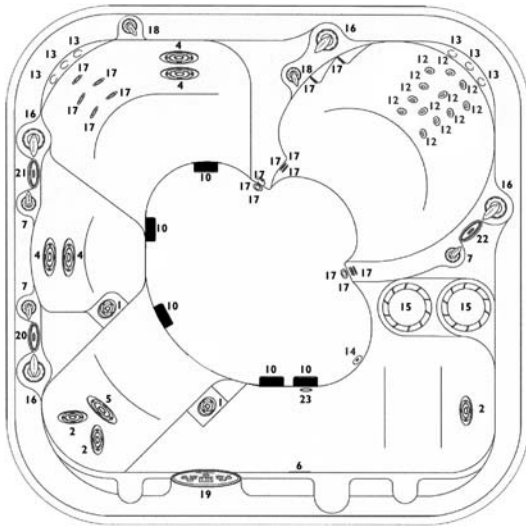
ZONE 2B JETS

Six Whirlpool Jets (P). Turn the Jet Selector Valve (6) to the south and press ZONE 2 JETS pad (3) to turn pump on low-speed. Press ZONE 2 JETS pad (3) again to turn pump on high-speed.

Shaded area: Jets On. White area: Jets Off.
A compass is used as a directional tool.



MARQUIS ULTIMATE SERIES



Component Identification

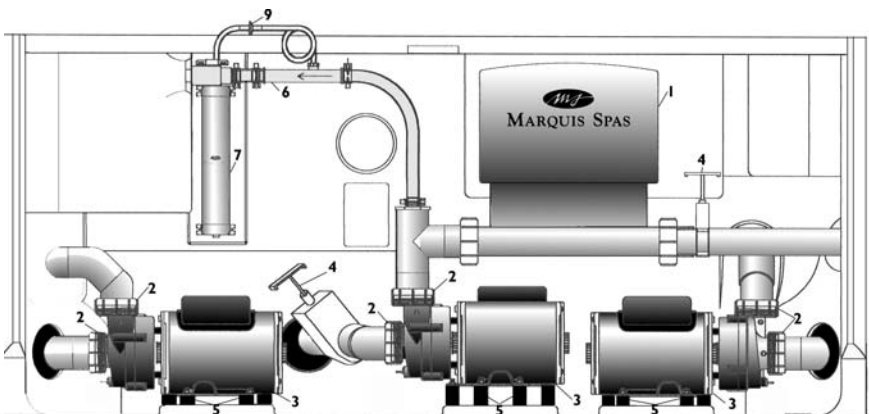
1	Iso Boost Jets	2
2	Power Boost Jets	3
4	Cyclo Boost Jets	4
5	Cyclo Swirl Jets	1
6	Light	1
7	Air Control Valves	3
10	Suction Fittings	5
12	Personal Therapy Jets	12
13	Cascade Neck Jets	6
14	Floor Drain	1
15	Filter Canisters	2
16	Jet Selector Valves	4
17	Whirlpool/Geyser Jets	15
18	Neck Jet Selector Valves	2
19	Bather's Control Panel	1
20	Auxiliary Zone 1 Panel	1
21	Auxiliary Zone 2 Panel	1
22	Auxiliary Zone 3 Panel	1
23	Ozone Injector Fitting	1

Physical Specifications

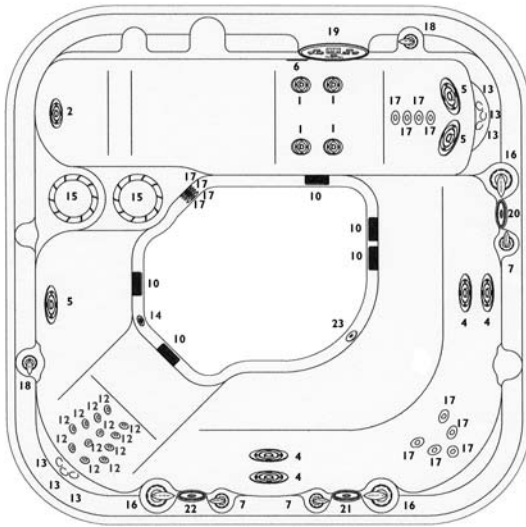
Dimensions	90" x 90"
Height	35.5"
Depth	34"
Seating Positions	7
Weight Dry Lbs.	865
Weight Full Lbs.	4034
Water Capacity	380 Gallons
Total Therapy Jets	43

Maximum Therapy System

1	Control Box & Heater	1
2	Pump Unions	6
3	Pumps	3
4	Shut Off Valves	2
5	Motor Mounts	2
6	Mazzei Injector	1
7	Q ₃ Ozonator	1
9	Check Valve	1



MJ JOURNEY ULTIMATE SERIES



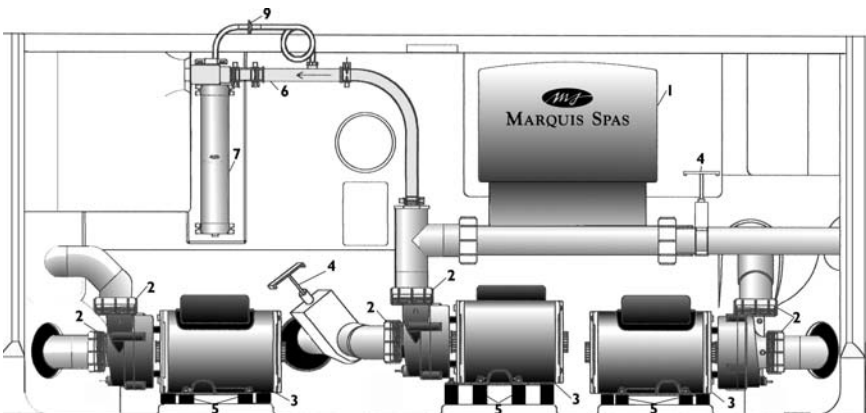
Component Identification #		
1	Iso Boost Jets	4
2	Power Boost Jets	3
3	Power Swirl Jet	0
4	Cyclo Boost Jets	4
5	Cyclo Swirl Jets	2
6	Light	1
7	Air Control Valves	3
10	Suction Fittings	5
12	Personal Therapy Jets	12
13	Cascade Neck Jets	6
14	Floor Drain	1
15	Filter Canisters	2
16	Jet Selector Valves	3
17	Whirlpool/Geyser Jets	12
18	Neck Jet Selector Valves	2
19	Bather's Control Panel	1
20	Auxiliary Zone 1 Panel	1
21	Auxiliary Zone 2 Panel	1
22	Auxiliary Zone 3 Panel	1
23	Ozone Injector Fitting	1

Physical Specifications

Dimensions	90" x 90"
Height	35.5"
Depth	34"
Seating Positions	8
Weight Dry Lbs.	850
Weight Full Lbs.	4352
Water Capacity	425 Gallons
Total Therapy Jets	46

Maximum Therapy System

1	Control Box & Heater	1
2	Pump Unions	6
3	Pumps	3
4	Shut Off Valves	2
5	Motor Mounts	2
6	Mazzei Injector	1
7	Q ₃ Ozonator	1
9	Check Valve	1

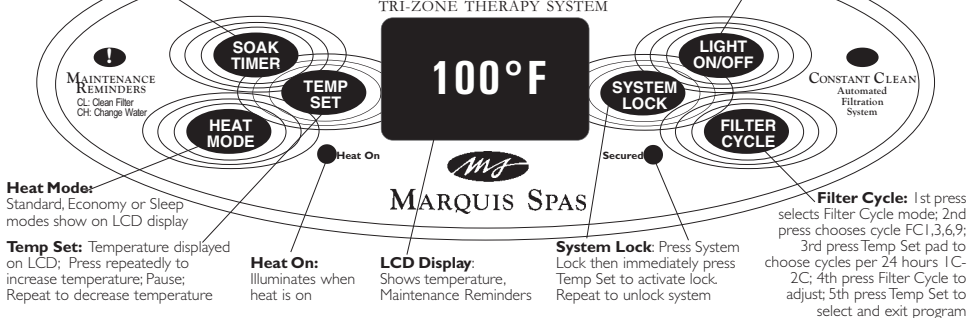




ULTIMATE SERIES CONTROLS

Soak Timer: 1st press turns pump to low-speed and starts 59-minute timer; 2nd press "all quiet" mode

Light On/Off: 1st press turns underwater and Entryway lights on; 2nd press turns lights off



PUMP PRIMING (Pr)

Pump priming feature begins at start-up. When spa is energized, the LCD panel will display a "Pr" message. This mode will last approximately four to five minutes if not exited manually. See THERAPY PUMP(S) section.

UNDERWATER AND ENTRYWAY LIGHTS

The pad marked LIGHT ON/OFF turns the underwater and Entryway lights on and off. The low-voltage system produces a night light for evening use and makes entering and exiting the spa safer. After being on for one hour, the lights will automatically turn off.

SOAK TIMER AND SOAK FEATURE

Pressing the SOAK TIMER pad will turn the jet pump to low-speed and start a 59-minute timer. The timer will display the elapsed time in one-minute increments (1-14). After 15 minutes, the display will flash the minute (15-59) for ten seconds before switching to a steady display as a safety reminder to not overstay your soak. During the Soak Timer mode, the temperature display can be checked by pressing the TEMP SET pad. A second press of the SOAK TIMER pad will turn off all functions (except light) for 30 minutes, if left uninterrupted, for an all-quiet soak. Pressing any pad will cancel the Soak mode.

PROGRAMMABLE FILTER TIMES

- To adjust the filter time: First press the FILTER CYCLE pad for display mode, then press the FILTER CYCLE pad to scroll through filtration time options and adjust for desired filtration time FC1 (90 minutes), FC3 (three hours), FC6 (six hours) or FC9 (nine hours) and enter the selection using the TEMP SET pad.
 - Display now shows either 2C (two filter cycles per day), 1Cd (one cycle per day that will start one minute after power up) or 1Cn (one cycle per day that will start 12 hours after power up). Press FILTER CYCLE pad to scroll through these selections and press TEMP SET pad to enter.
 - The display will now show either SL4 (four hour cycle), SL3 (three hour cycle), SL2 (two hours cycle, SL1 (one hour cycle) or SL0 (Smart cycle off). Press the FILTER CYCLE pad to scroll through the selections and then press the TEMP SET pad to set and exit the programming mode.
- Factory default settings for the above selections: Filtration time F3 (three hours); Filter cycles 2C (two times per day); Cleanup cycle "Smart Logic" 4H (four hours).

The filter cycle will begin six minutes after the spa is energized. If you select two cycles per 24 hours, the second cycle will begin 12 hours after the first cycle. Also, at the start of the first filter cycle, auxiliary pump will run on low-speed for five minutes. The primary pump will run on high-speed for five minutes, then low-speed for the cycle's duration.

CONSTANT CLEAN™ FILTRATION WITH SMART LOGIC

Constant Clean™ Filtration

Your spa is automatically preset to filter itself using the jet pump on low-speed for three hours twice in a 24 hour period. The first filter cycle will begin one minute after the spa is energized. The second filter cycle will begin 12 hours after the first cycle. See PROGRAM FILTER to adjust cycles.

Smart Logic

This feature ensures that the spa water will be properly filtered after each spa use. 30 minutes after the spa light or jet pump has been deactivated, the pump runs on high-speed for five minutes, then on low-speed to filter the water for four hours. See PROGRAM FILTER to adjust cycles.

Heat Demand Operation

In addition to those situations mentioned above, the pump will circulate on low-speed whenever the thermostat calls for heat.

SOLID-STATE Q₃ OZONATOR

The Q₃ Ozonator will function during all filter cycles.

HEAT MODE

The spa's heat mode can be adjusted to one of three different settings.

- **Standard Mode:** The spa water will heat to the temperature as set at the Bather's panel. In this mode the filtration pump will turn on for one minute every half-hour and "poll" or check the water. If heat is needed the unit will heat to the set temperature. LCD display will steadily read actual temperature in this mode.
- **Economy Mode:** In this mode the spa will only heat to the set temperature during a programmed filter cycle. LCD display will alternately flash "Ecn" with actual temperature when spa is up to set temperature. LCD will steadily display "Ecn" when spa is below set temperature.
- **Sleep Mode:** The spa will only heat to 20° F below the set temperature. Heater will only function during a programmed filter cycle. LCD display will alternately flash "SLP" with the actual temperature when spa is up to set temperature. LCD will steadily display "SLP" when spa is below set temperature.

For most applications, the Standard Mode should be used. If you are in a warm weather climate and the spa does not require as much heat, the Economy Mode may work best. For a vacation home or for very infrequent use, the Sleep Mode will provide filtration and circulation with lower energy demand.

Your spa comes preset in the Standard Mode. To change this selection, press the HEAT MODE pad and continue to press it until the desired setting is reached (Std, Ecn, or SLP). When you have reached the desired setting, press the TEMP SET pad to select that mode and exit programming. (TEMP SET pad must be pressed within ten seconds for the selection to take effect.)

SYSTEM LOCK

After selecting filtration and heat modes, press SYSTEM LOCK pad, then immediately press TEMP SET pad to preserve the operational settings and ensure against inadvertent changes. Unlock the panel by repeating the procedure. Lock is indicated by LED light "SECURED". Jets and light will continue to function in System Lock.

TEMPERATURE DISPLAY AND ADJUSTMENT

The LCD window displays the actual water temperature. Pressing the TEMP SET pad will make the numbers flash, then pressing the pad again (repeatedly) will increase the set temperature one degree at a time, up to 104° F. After a short pause, the actual temperature will again be displayed. Repeating the above procedure will allow you to decrease the set temperature.

HEAT LIGHT

The HEAT ON light will illuminate when the heater is on.

LCD DISPLAY MESSAGES

The advanced technology built into the spa allows it to perform a number of self-diagnostic system checks and can display a variety of messages on the LCD panel. See TROUBLESHOOTING section for descriptions.

MAINTENANCE REMINDERS

Maintenance Reminders help remind you of routine maintenance procedures.

CL: This will appear every 30 days as a reminder to clean the filter.*

CH: This will appear every 90 days as a reminder to drain and refill the spa.*

***NOTE:** If power is shut off or a power outage occurs the system has a battery backup. Maintenance Reminders will be stored in memory for 30 days. If power does not resume after that time, memory will reset to factory default settings and history lost.

ZONED THERAPY SYSTEM AUXILIARY PANELS

Pressing the ZONE 1 JETS pad will activate the Power Therapy Seat (see spa diagram for exact location). The ZONE 1 JETS pad will cycle the jet pump from low-speed, to high-speed, to off. This sequence will be followed beginning at whichever speed the pump may be in when the pad is pressed. Pressing ZONE 2 JETS or ZONE 3 JETS pads will activate the jets in the other areas of the spa. The Zone 2 and Zone 3 pumps follow the same sequence as that of Zone 1.

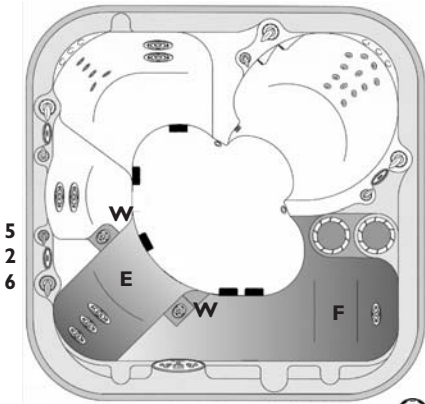
Pump Timeouts

Zone 1: Operating sequence is low speed and ozone generator, high speed, then off. If left running, the low speed and the ozone generator turn off after 15 minutes. If left running, the high speed runs for ten minutes then reverts to low speed for five minutes before turning off.

Zone 2: Operating sequence is low speed, high speed, then off. If left running, the low speed will turn off after 15 minutes. If left running, the high speed runs for ten minutes then reverts to low speed for five minutes before turning off.

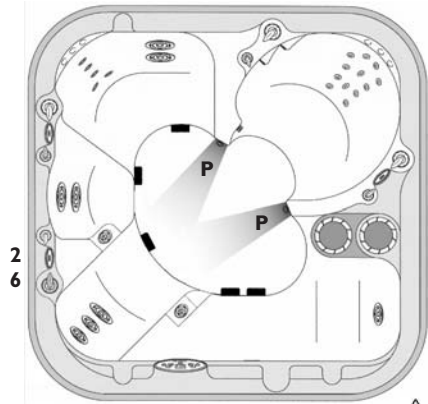
Zone 3: Operating sequence is low speed, high speed, then off. If left running, the low speed will turn off after 15 minutes. If left running, the high speed runs for ten minutes then reverts to low speed for five minutes before turning off.





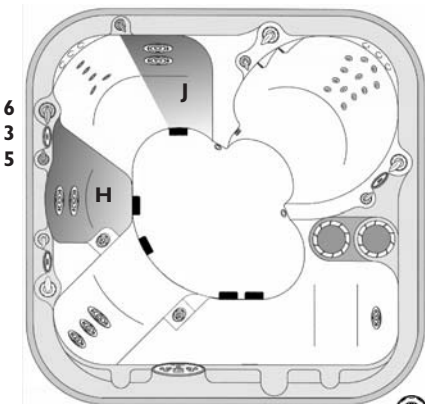
ZONE 1A JETS

All jets (E, F) and Wrist jets (W). Turn the Jet Selector Valve (6) to the south and press ZONE 1 JETS pad (2) to turn pump on low-speed. Press ZONE 1 JETS pad (2) again to turn pump on high-speed. Adjust the jet pressure with Air Control Valve (5). Open the Air Control Valve (5) by turning the lever counterclockwise.



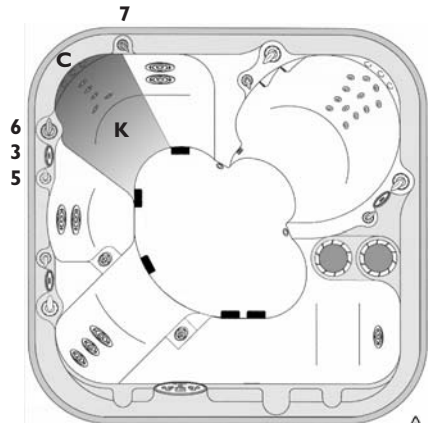
ZONE 1B JETS

Two Whirlpool Jets (P). Turn the Jet Selector Valve (6) to the north and press ZONE 1 JETS pad (2) to turn pump on low-speed. Press ZONE 1 JETS pad (2) again to turn pump on high-speed.



ZONE 2A JETS

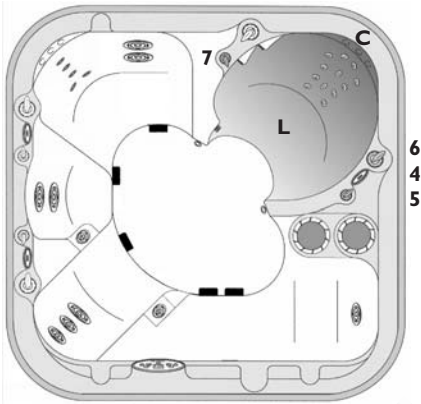
All jets (C, H, J). Turn the Jet Selector Valve (6) to the south and press ZONE 2 JETS pad (3) to turn pump on low-speed. Press ZONE 2 JETS pad (3) again to turn pump on high-speed. Adjust the jet pressure with Air Control Valve (5). Open Air Control Valve (5) by turning the lever counterclockwise. Cascade Neck Jets (C) are independent of other jets. Control pressure by turning Neck Jet Valve (7).



ZONE 2B JETS

All jets (K) and Cascade Neck jets (C). Turn the Jet Selector Valve (6) to the north and press ZONE 2 JETS pad (3) to turn pump on low-speed. Press ZONE 2 JETS pad (3) again to turn pump on high-speed. Cascade Neck Jets (C) are independent of other jets. Control pressure by turning Neck Jet Valve (7).





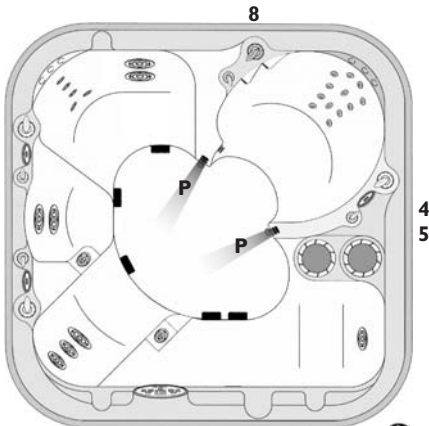
ZONE 3A JETS

All jets seat (L) and Cascade Neck jets (C). Turn the Jet Selector Valve (6) to the northeast and press ZONE 3 JETS (4) pad to turn pump on low-speed. Press ZONE 3 JETS (4) pad again to turn pump on high-speed. Adjust the jet pressure with Air Control Valve (5). Open the Air Control Valve (5) by turning the lever counterclockwise.



ZONE 3B JETS

Four Whirlpool jets (P) and Cascade Neck jets (C). (P) Turn the Jet Selector Valve (6) to the southwest and Jet Selector Valve (8) to the northeast. Press ZONE 3 JETS pad (4) to turn pump on low-speed. Press ZONE 3 JETS pad (4) again to turn pump on high-speed. (C) Turn Neck Jet Valve (7) to the southwest.

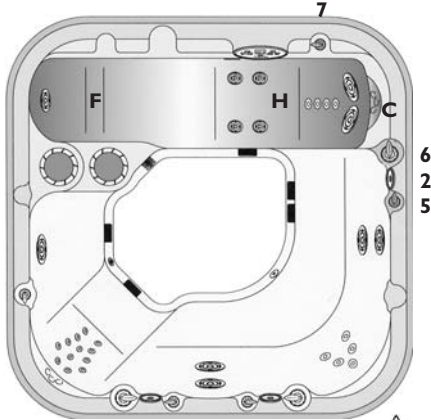


ZONE 3C JETS

Four Whirlpool jets (P) and Cascade Neck jets (C). (P) Turn the Turn the Jet Selector Valve (6) to the southwest and Jet Selector Valve (8) to the southwest. Press ZONE 3 JETS (4) pad to turn pump on low-speed. Press ZONE 3 JETS (4) pad again to turn pump on high-speed. Adjust the jet pressure with Air Control Valve (5). Open the Air Control Valve (5) by turning the lever counterclockwise. (C) Turn Neck Jet Valve (7) to the southwest.

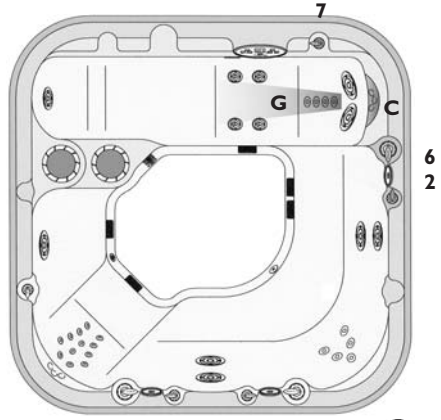
Shaded area: Jets On. White area: Jets Off. A compass is used as a directional tool.





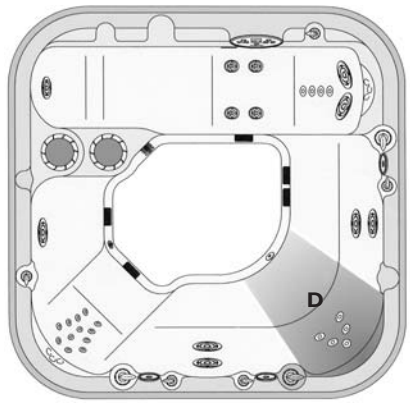
ZONE 1A JETS

All jets (F, H) and Cascade Neck Jets (C). Turn the Jet Selector Valve (6) to the north and press ZONE 1 JETS pad (2) to turn pump on low-speed. Press ZONE 1 JETS pad (2) again to turn pump on high-speed. Adjust the jet pressure with Air Control Valve (5). Open the Air Control Valve (5) by turning the lever counterclockwise. Cascade Neck Jets (C) are independent of other jets. Control pressure by turning Neck Jet Valve (7).



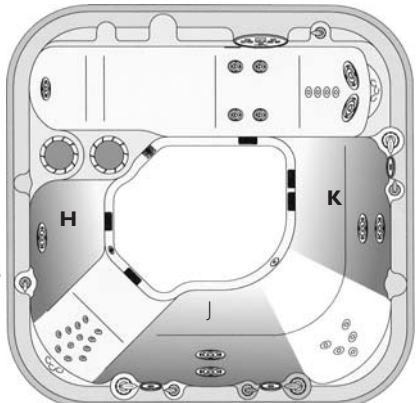
ZONE 1B JETS

Four Geyser Whirlpool Jets (G) and Cascade Neck Jets (C). Turn the Jet Selector Valve (6) to the south and press ZONE 1 JETS pad (2) to turn pump on low-speed. Press ZONE 1 JETS pad (2) again to turn pump on high-speed. Cascade Neck Jets (C) are independent of other jets. Control pressure by turning Neck Jet Valve (7).



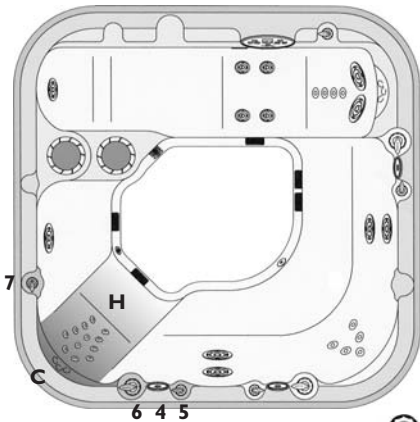
ZONE 2A JETS

All jets (D). Turn the Jet Selector Valve (6) to the east and press ZONE 2 JETS pad (3) to turn pump on low-speed. Press ZONE 2 JETS pad (3) again to turn pump on high-speed. Adjust the jet pressure with Air Control Valve (5).



ZONE 2B JETS

All jets (H, J, K). Turn the Jet Selector Valve (6) to the west and press ZONE 2 JETS pad (3) to turn pump on low-speed. Press ZONE 2 JETS pad (3) again to turn pump on high-speed.



ZONE 3A JETS



All jets (H) and Cascade Neck jets (C). Turn the Jet Selector Valve (6) to the west and press ZONE 3 JETS (4) pad to turn pump on low-speed. Press ZONE 3 JETS (4) pad again to turn pump on high-speed. Adjust the jet pressure with Air Control Valve (5). Open the Air Control Valve (5) by turning the lever counterclockwise. Control Cascade Neck jet pressure with valve (7).



Shaded area: Jets On. White area: Jets Off.
A compass is used as a directional tool.

EXTERIOR

Depending upon your choice of a natural cedar or DuraWood™ exterior, there are several routine maintenance steps you should follow.

Wood Exterior:

The wood exterior has been treated with a water-based wood preservative at the factory. It is suggested that the exterior be treated every six months with an additional coat of preservative for maximum weather protection. Your Dealer can suggest the best preservative for your environment and also provide the *Super Deck Wood Care Kit*.



DuraWood™ Exterior:

This low maintenance exterior material is optional with the All Weather Package (AWP). Wipe down DuraWood™ exterior with a soft sponge, cloth, *Scumberg Duramitt #6875*, or *Tub Scrubber #6000* and mild, nonabrasive cleaner. Isopropyl alcohol diluted 1:1 with water may be used on stubborn marks. **DO NOT USE ACETONE** as it may damage the surface.

DRAINING AND REFILLING THE SPA

It is recommended that you completely drain your spa every three months. A Maintenance Reminder will appear as CH to remind you to change water. More frequent draining may be required depending on use. If the water is not changed regularly, the water becomes chemically “saturated” and won’t respond to regular chemical additions.

The spa should also be drained before long periods of disuse. An empty spa should be covered; direct sunlight on the spa surface can cause severe damage or blemishing and can result in the voiding of any surface warranties. ◀ The *Marquis Drain and Clean Kit #2445* includes everything necessary for a thorough draining regime. To drain the spa for cleaning or servicing, follow the steps below:



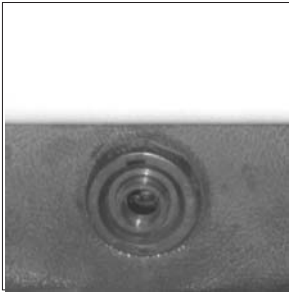
Hose Bib Drain

1. Turn off the power to the spa.

Use *Swirl Away Plumbing Cleaner* just prior to draining to rid the spa of any buildup from oils, lotions, etc. in plumbing lines and jets.

2. Attach a garden hose to the hose bib in the spa’s equipment area.
3. Open the hose bib by turning the lever counterclockwise. Gravity will cause the water to drain from hose.
4. When the spa is empty, close the hose bib and remove the hose. Keep the hose bib open for long periods of disuse.
5. Fill your spa with fresh water from a garden hose and add the necessary chemicals. It is necessary to Shock the water after each refill before using your spa. Follow the procedures outlined in STARTING YOUR SPA.





Dura Base™ External Drain and Fill Valve

1. Remove plug from the external Drain and Fill valve.
2. Attach a hose to the external drain and fill valve on the ◀ DuraBase™. A Fill Filter is recommended when filling. Attach to the end of a garden hose to filter out any grit and sediment that may accumulate in the spa and potentially scratch the spa surface during the process.
3. Open the valve by turning the ring counterclockwise. Gravity will cause the water to drain out of the hose.
4. When the spa is empty, close the valve by turning the ring clockwise and remove the hose.
5. Replace the plug in the drain and fill valve.
6. Follow step five above to refill your spa.

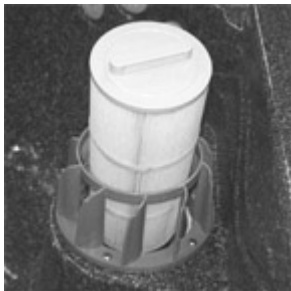
CLEANING THE SPA AND SAFETY ENERGY COVER

Should the DuraShell® interior become soiled, it can be cleaned with a soft sponge, cloth Scumbug Duramitt #6875 or Tub Scrubber #6000. Do not use any abrasive cleaners as they can scratch or dull the spa surface.

Your Safety Energy Cover can be cleaned with Marquis Spa Care™ Cover Cleaner on both top and bottom sides. Marquis Spa Care™ Cover Cleaner is a good quality NON-SILICONE based vinyl restorer that will help protect the surface from the sun’s rays.

REMOVING THE FILTER

Refer to the SPA MAINTENANCE SCHEDULE section for cleaning frequency and instructions. Follow these instructions when performing routine maintenance.



Vortex Filtration:

1. Grasp the edge of the dome-shaped Vortex filter top, pull up firmly, but gently, to remove it.
2. Use the filter handle and turn the filter cartridge ◀ counterclockwise to unscrew it from its base.
3. Lift out the filter cartridge.

Maintenance Reminder will show CL every 30 days to remind you to clean your filter. Use Marquis Spa Care™ ◀ Filter Revive and Filter Soak Canister. It’s recommended that you keep a spare filter on hand for cleaning. Replace your filter once a year. Filters are available through Marquis Essentials.



REINSTALLING THE FILTER

Repeat the steps above in reverse order to reinstall the filter. Do not overtighten the filter as it may cause failure of the filter cartridge. When replacing the Vortex filter top, center the top over the raised filter ring, and press down firmly until the top snaps into place.

LIGHT BULB REPLACEMENT

To replace a bulb for the Entryway or Underwater lighting,

1. Remove the equipment area door to find the light access.
2. Remove the lamp socket from the back of the light assembly by turning counter-clockwise and pulling at the same time.
3. Gently pull the bulb out of the lamp socket and replace it with a **6 WATT BULB ONLY** from your spa retailer.
4. Install the lamp socket back into the light assembly and replace door.



Your Marquis spa is equipped with two optional underwater light colored lens covers. Your Dealer has a package of three additional lens covers which includes a replacement bulb.

WINTERIZING YOUR SPA

Your spa was designed for year-round use and many people find the combination of hot water, therapy jets, and cool winter temperatures to be especially soothing. However, if you decide to discontinue the use of your spa for any extended period of time, we suggest you follow the steps below.

NOTE: During long periods of inactivity, damage can occur to equipment from condensation within the equipment.

1. Turn off the power to the spa.
2. Drain the spa. (See DRAINING AND REFILLING THE SPA.)
3. Remove all residual water from the seating and footwell. If necessary, bail out the remaining water then dry the spa with towels. A wet/dry vacuum is recommended for best results.
4. Using the wet/dry vacuum, place nozzle over each jet nozzle to remove water from plumbing lines, starting with the highest jet and finishing with the lowest jet.

NOTE: If the spa is equipped with a Jet Selector valve, which is used to divert water between different jet zones, the valve must be “open” to the particular jets you are vacuuming.

5. Unscrew the pump plug(s) from the pump(s) or disconnect the freeze protection line. (See STARTING YOUR SPA section.)



6. Again, using the wet/dry vacuum, place nozzle over the exposed pump opening(s) to remove excess water. The pump(s) should be removed from the spa and stored in a climate-controlled room.
7. Clean the spa interior.
8. Clean the filter cartridge(s).
9. Reinstall the Safety Energy Cover and lock in place.
10. For added protection, cover the entire spa with a *Marquis Protective Spa Cover*.

SPA MAINTENANCE SCHEDULE

DAILY

Replenish the water level by filling 2/3 up the Vortex skimmer opening(s). (See STARTING YOUR SPA section.)

Check the water balance. Adjust as needed.

WEEKLY

Wipe down the embossed tile.

Remove the filter cartridge(s) and rinse thoroughly with a hose and high-pressure nozzle.

MONTHLY

Soak the filter cartridge(s) in *Marquis Spa Care™ Filter Revive*. Rinse thoroughly in clean water.

Clean the spa Safety Energy Cover with *Marquis Spa Care™ Cover Cleaner*.

EVERY THREE MONTHS

Drain the spa and completely refill with water and replenish the chemicals. (See DRAINING AND REFILLING YOUR SPA.)

Open the equipment door and check for signs of water leakage around the pump(s). Pump seals will wear out over time, especially with improper water chemistry. Early detection of pump seal failure can significantly reduce repair costs.

While the spa is drained, the DuraShell® interior can be sponged with a spa cleaner and rinsed.

NOTE: Do not wax the surface as the wax will dissolve into the water, clog the filter, and reduce the effectiveness of Microban® antibacterial product protection.

EVERY SIX MONTHS

If your spa has a wood exterior, treat the wood with the *Super Deck Wood Care Kit*.

NOTE: Do not use wood sealant. Use only a high-quality, water-based wood preservative.



SPA CARE & MAINTENANCE RECORD

Date of Maintenance	Water Maintenance	Drain Spa Water	Clean Spa Shell	Clean Filter Cartridge	Clean/Treat Exterior	Clean Spa Cover	Winterize Spa	Misc. Service



PLEASE NOTE: The following corrective actions may be performed by the spa owner. If the trouble cannot be corrected in the steps below, please refer to your spa retailer for service. (Improper servicing by an unauthorized service provider or spa owner could result in damage that will not be covered by the warranty and could cause serious injury.)

EQUIPMENT WILL NOT OPERATE

Check the control panel LCD display code.

240V Spas: Check the circuit breaker on the main circuit panel.

120V Spas: Check the GFCI power cord and reset if necessary (see IMPORTANT SAFETY INSTRUCTIONS at beginning of manual).

Check the condition of the power cord.

JET-PUMP(S) DOES NOT WORK

Press the pump buttons on the spa side controls.

Check plug connection at equipment pack

Be sure the shut-off valves are completely open.

Check for obstructions or restrictions at the suction fittings, such as leaves, etc.

INADEQUATE JET ACTION

Be sure the shut-off valves are completely open.

Check that the air control valve is open (push lever counterclockwise to open).

LCD DISPLAY MESSAGES

Depending on spa models, the technology allows it to perform a number of self-diagnostic system checks and may display some of the messages on the LCD panel as listed below. (See CONTROL section.)

OHH or OHS:

Overheat protection; If a malfunction occurs and the spa water reaches 112° F (44° C), the system will completely shut down. In such a condition, **DO NOT ENTER THE WATER.** Turn off all power to the spa. Several conditions could lead to overheating, for example, low water level, shut-off valves closed while heater is on, dirty filter, and restriction in the plumbing lines. The spa will not restart itself until the water temperature within the spa drops to a lower, predetermined temperature. As a double safety feature, a secondary high-limit sensor will shut the system off if the water temperature in the heater housing reaches 118° F. In this case, the spa may be restarted by pressing any panel pad after the water has cooled to 108° F. If the switch trips repeatedly, do not use the spa. Contact your retailer for service.

HFL or drY:

1. The filter may be plugged.
2. The spa water level may be too low.
3. A shut-off valve may be closed.

LCD DISPLAY MESSAGES (CONTINUED)

SN, Snt or SnH:

A sensor has malfunctioned. The spa will turn off. Contact your service provider.

CL:

This will appear every 30 days as a reminder to clean the filter. (See REMOVING THE FILTER.)

CH:

This will appear every 90 days as a reminder to drain and refill the spa. (See DRAINING THE SPA and REFILLING.)

FL:

A pressure switch may have malfunctioned. Contact your service provider.

NO HEAT

Check temperature LCD display for desired temperature setting.

NOTE: Do not expect instant hot water from the jets. It will take the heater 12-24 hours to heat the spa to the temperature you desire.

Check for obstructions or restrictions at the suction fittings.
Inspect the filter cartridge(s) for dirt and debris.

Check that the water is at proper level, 2/3 up the Vortex skimmer opening(s).

Lower ambient temperatures may result in heat loss.

LIGHT DOES NOT WORK

Press the LIGHT ON/OFF pad on the spa side controls.

Reposition the light bulb in the socket. (See REPLACING LIGHT BULB section.)

Replace the light bulb with a **6 WATT BULB ONLY**.

SPA WATER MAINTENANCE



Maintaining proper water chemical balance is critical to your health and enjoyment. Marquis recommends that you use an ozonator (optional on Leisure and Recreational Series, standard on Coastal and Ultimate Series) along with the proper supplemental sanitizer.

Marquis offers a complete line of *Marquis Spa Care*™ products which meet or surpass Environment Protection Agency (EPA) requirements. *Marquis Spa Care*™ products are available only through authorized Marquis Dealers. For more information, refer to the *Marquis Spa Care*™ *Water Treatment Guide* included with your spa.

RECOMMENDED CHEMICAL LEVELS

Failure to maintain pH level may result in irritation of the eyes, skin rashes, and other discomforts as well as damage to spa surfaces, plumbing and equipment. Chlorine levels should not exceed 3 ppm except during periods of super chlorination which is used only to treat raw water after draining the spa and after periods of heavy use.

With Ozonator

Bromine	2 - 3 ppm
Chlorine	2 - 3 ppm
Alkalinity	80 - 150 ppm
pH Level	7.2 - 7.6

Without Ozonator

Bromine	3 - 5 ppm
Chlorine	3 - 5 ppm
Alkalinity	100 - 120 ppm
pH Level	7.4 - 7.6

CLOUDY WATER (Cause (C) and Solutions (S) to Water Maintenance)

- C: Inadequate filtration or dirty filter.
- S: Check that the filter is securely attached. Clean or replace filter.
- C: Water is not balanced.
- S: Shock water with *Shock Treatment* and test water with a *Water Test Strip*. Adjust sanitizer level, pH, and alkalinity levels as needed.
- C: Unfiltered particles or chemically saturated water.
- S: Use *Crystal Clear Clarifier* to combine particles; or drain the spa, clean and refill.

CHEMICAL ODOR

- C: Too many chloramines/bromamines in the water.
- S: Shock water with *Shock Treatment* then adjust sanitizer level as necessary.

MUSTY ODOR

- C: Not enough sanitizer in water – bacteria or algae in water.
- S: Add sanitizer as necessary and shock. Readjust sanitizer level if necessary.

YELLOW WATER

- C: Low pH.
- S: Adjust pH with *pH and Alkalinity Increase*.

FOAMING

- C: High concentration of body oils, lotions, or soaps as well as high temperatures and excessive contaminants.
- S: Use *Foam Eliminator* and adjust pH and sanitizer levels as needed.

SPA WATER MAINTENANCE (CONTINUED)

SCUM LINE IN SPA

- C: Body oils and dirt.
- S: Use *Spa Perfect* once a week to break down oils and lotions to prevent scum from forming.

FAILURE TO GET A SANITIZER READING ON TEST STRIP

- C: Sanitizer level is too low.
- S: Add chlorine or bromine until the sanitizer tests in the recommended range.
- C: Algae present.
- S: Dirty water will consume the sanitizer as soon as it is added. Add more chlorine or bromine until the sanitizer tests and stays in the recommended range.
- C: Test strip remains white even after sanitizer has been added.
- S: Sanitizer level is extremely high. It can bleach the reagents on the test strip and give a false reading. See below.

TOO MUCH SANITIZER IN THE WATER

- C: Too much chlorine or bromine added or dispensed into the spa.
- S: Remove Safety Energy Cover and activate high-speed jets and Air Control. Allow jets to run for 30 minutes. Test water with a *Water Test Strip* to see if desired level has been reached.

EYE OR SKIN IRRITATION

- C: Contaminants or excessive amount of chloramines/bromamines in water.
- S: Shock water with *Shock Treatment*. Adjust sanitizer level.
- C: pH level is low.
- S: Adjust pH level as needed.

CORROSION OF METAL

- C: Low pH level.
- S: Adjust pH level with *pH and Alkalinity Increase*.

GREEN WATER/ALGAE

- C: Low sanitizer level or high pH.
- S: Adjust pH and sanitizer as necessary.

ERRATIC pH TEST COLOR

- C: Sanitizer level is too high. (See TOO MUCH SANITIZER IN THE WATER above.)
- S: Test pH again when sanitizer level is below 5 ppm.

MARQUIS SPA CARE™ PRODUCTS

- | | | |
|----------------------------|-----------------------------|-----------------------------|
| •Bromine | •Filter Revive | •pH and Alkalinity Increase |
| •Calcium Hardness Increase | •Foam Eliminator | •Shock Treatment |
| •Chlorine Sanitizer | •Metal and Stain Control | •Go Brom |
| •Crystal Clear Clarifier | •pH and Alkalinity Decrease | |



MARQUIS SPAS®

R E L A X I N G Y O U R W O R L D

Marquis Corp.

596 Hoffman Road • Independence, OR 97351

800.275.0888 • www.marquisspas.com

©COPYRIGHT MARQUIS CORP. 1/2001 • 710-0812